



# 玉柴船舶动力国二系列发动机 YUCHAI MARINE ENGINE WITH NON-ROAD II EMISSION STANDARD



GUANGXI YUCHAI MARINE  
AND GENSET POWER CO.,LTD.

地址: 广西玉林市天桥西路88号  
电话: 0775-3220412 3220984  
传真: 0775-3287898  
全国服务热线: 95098  
网址: www.yuchaidiesel.com

Address: No. 88, Tianqiao West Road, Yulin, Guangxi, China  
Tel: +86-775-3220553  
Fax: +86-775-3220551  
Service Hotline: 95098  
Website: www.yuchaidiesel.com



微信公众号

(随着产品技术进步, 产品结构、参数将不断改进, 恕不另行通知。样本参数与实物不符的, 以实物为准。)

2022年6月印制

广西玉柴船电动力有限公司  
GUANGXI YUCHAI MARINE AND GENSET POWER CO., LTD.

# 目录 CONTENTS

公司简介  
Company Profile 01

玉柴船舶动力系列发动机型谱总表  
Yuchai Series Engine For Marine 02

YC16VCX / YC16VC系列  
YC16VX / YC16VC Series 06

YC12VC系列  
YC12VC Series 10

YC8CAX / YC8CL系列  
YC8CAX / YC8CL Series 14

YC6CA / YC6CL / YC6C系列  
YC6CA / YC6CL / YC6C Series 18

YC6TF系列  
YC6TF Series 26

YC6TD / YC6T系列  
YC6TD / YC6T Series 30

YC6K系列  
YC6K Series 36

YC6MJ / YC6MK系列  
YC6MJ / YC6MK Series 40

YCA08系列  
YCA08 Series 46

YC4A系列  
YC4A Series 50

玉柴全球营销服务网络  
Yuchai global sales and service network 56



## 公司简介 Company Profile

广西玉柴船电动力有限公司是广西玉柴机器股份有限公司的全资子公司，公司总部设在广西玉林市，公司致力于船舶动力、发电动力等产品的研发、生产、销售及服务，产品广泛应用于船舶与海洋工程装备、发电、石油钻井等领域，远销亚非拉、美、欧等国内外市场，深得新老客户的高度赞誉。发动机年生产能力超过5万台，综合年销售收入超50亿元。

公司目前共有员工800余人，其中，享受国务院政府特殊津贴2人，外聘专家8人，硕士博士42人，高级工程师25人，技术人员250余人，高技能人才 230多人。

公司以“成就客户价值，驱动美好生活”为使命，致力于用卓越和领先满足公众的动力需求，持续地提升产品的价值，产品线横向布局、纵深发展，搭建了应用领域齐全完整、传统动力和新能源动力并举的产品谱系，产品功率覆盖15kW~4200kW，涵盖10大平台30大系列，产品包括柴油机、燃气机等，以大功率、大扭矩、高可靠、低能耗、低噪声、低排放、适配性强的特点成为国内主要船舶和发电设备等装备优选的配套动力，为中国经济和世界经济的发展提供了强劲动力。

公司坚持自主创新，通过独特的技术创新体系，不断挑战动力技术新高度。在发动机研究领域，公司始终占据着制高点，推动了整个中国船舶行业技术水平发展，不断打破国际品牌垄断并替代，凭借过硬的实力为“中国制造”在国际船电市场上占据越来越重要的角色。

Guangxi Yuchai Marine and Genset Power Co., Ltd. is a wholly-owned subsidiary of Guangxi Yuchai Machinery Co., Ltd. The company, headquartered in Yulin, Guangxi, is committed to R & D, production, sales, and customer service of marine engines, G-Drive engines as well as others. Its products, sold to markets worldwide including Asia, Africa, Latin America, the United States, and Europe as well as the domestic market, are widely used in marine and engineering equipment, power generation, oil drilling as well as other fields. The products have won high praise from new and old customers. The annual production capacity of the engine exceeds 50,000 units. The annual sales revenue exceeds RMB 5 billion.

Currently, the company has more than eight hundred employees, including two employees enjoying the special government allowances of the State Council, eight foreign experts, forty-two employees with doctor or master's degrees, twenty-five with senior engineer over two hundred and fifty technicians and more than 230 employees with highly-skilled talents.

With the mission of "achieving customer value and driving a better life", the company is committed to meeting the dynamic needs of the public with excellence and leadership. It also strives for continuous improvement of product values. Centered on a horizontal layout and in-depth development of product lines, the company has built a complete product spectrum that is applied in various fields and promotes simultaneous development of traditional energy power and new energy power. The power covers 15kW-4200kW for 10 major platforms and 30 major product series. In the product spectrum, diesel engines and gas engines are included, which have become the preferred power supplier for the main domestic marine and power generation equipment for its advantages like high power, high torque, high reliability, low energy consumption, low noise, low emission, and strong adaptability, providing a strong boost to the development of China's economy and the world economy.

The company adheres to independent innovation and constantly challenges the new height of power technology through a unique technological innovation system. In the field of engine research, the company has always occupied the commanding height, promoted the development of the technical level of the whole Chinese marine and Genset power industry, It has also broken the monopoly of international brands and successfully realized domestic substitution of them again and again., it has won an increasingly important role in the international marine and Genset power market for more and more "made in China" products.





# YC16VCX/YC16VC

## SERIES MARINE DIESEL ENGINE 系列船舶动力(2400~4000马力)

电控技术 省油环保

ELECTRONIC CONTROL TECHNOLOGY FUEL  
SAVING AND ENVIRONMENTAL PROTECTION

### ▶ 机型介绍 Model is Introduced

YC16VCX船机是在16VC船机成熟机型基础上开发的一款V型船用柴油机, YC16VCX/YC16VC船机是玉柴针对海上工程装备和大型船舶的使用工况, 融合德国、美国、日本先进柴油机技术研发, 完全按照欧洲现代发动机开发流程开发的新一代船舶动力, 是各类船舶理想的配套动力。

YC16VCX is a V-type marine diesel engine developed on the basis of the mature model of 16VC marine engine. YC16VCX/YC16VC marine engine, an ideal supporting power for all kinds of ships and specific to the working conditions of offshore engineering equipment and large ships, is a new generation of marine power developed by Yuchai in combination with the advanced diesel engine technology of Germany, the United States and Japan and in full accordance with the development process for modern European engine.



### ▶ 机型特点 Features

#### 节能环保

● 新一代电控单体泵高效节能技术, 结合国内外先进设计成果, 高低温冷却技术、增压中冷、四气门技术, 满足IMO TierII 排放要求, 保证整机既节能又环保。

#### 结构紧凑

● 体积小、重量轻, 安装维护方便; 凸轮轴采用喷油与配气凸轮一体方案, 确保整机紧凑。

#### 可靠性高

● 采用曲面和加强筋结构机体, 结合锻造合金钢曲轴与合金钢材料连杆, 大大减轻主轴瓦的冲击力, 确保整机可靠耐用。

#### 加载能力强

● 采用电控单体泵技术及开创性四增压器并联技术, 保证了整机瞬态调速性好, 加载能力强。

#### 维修性好

● 进气管两侧布置, 维修接近性好; 一缸一盖结构并借用了平台机型多年应用的成熟气缸盖, 维修方便; 采用自主专利技术设计的盘车机构方便维修。

#### Energy conservation and environmental protection

● Electric monomer pump is a new generation of high efficiency and energy saving technology, combined with domestic and foreign advanced design, high and low water cooling technology, turbocharged inter-cooled, four valve technology, meet IMO TierII emissions requirements, guarantee the machine both energy saving and environmental protection.

#### Compact structure

● Small volume, light weight, easy installation and maintenance; The camshaft using injection for treating with integrated solutions, to ensure the machine is compact.

#### High reliability

● Use the high strength of cylinder block structure, combined with forging steel crankshaft connecting rod with alloy steel material, significantly reducing the impact of the main shaft tile, ensure the machine is reliable and durable.

#### Load ability

● Using electric monomer pump technology and pioneering four implement parallel technology, to ensure the engine transient speed and load ability.

#### Good maintainability

● The two sides of the inlet pipe are arranged, and the maintenance is close. The cylinder and cover structure has borrowed the mature cylinder cover which has been used for many years by the model of the platform. The disk drive mechanism designed by self-patent technology is convenient for maintenance.

### ▶ YC16VCX主要技术参数 Technical Data

型号 Model	YC16VCX4000L-C20	YC16VCX3600L-C20	YC16VCX3300L-C20	YC16VCX3600L-C22	YC16VCX3300L-C22
型式 Type	立式、V形、水冷、四冲程 Vertical, "V" shape, water-cooled, four-stroke				
进气方式 Intake way	增压中冷 Turbo-charged & inter-cooled				
气缸数-缸径×行程 (mm) No. of cylinders - Bore × Stroke	16-215 × 210				
活塞排量 Displacement (L)	121.98				
压缩比 Compression ratio	14:1				
持续功率/转速 (kW(Ps)/r/min) Continuous power/speed	2940(4000)/1500	2646(3600)/1350	2426(3300)/1350	2646(3600)/1500	2426(3300)/1500
超负荷功率/转速 (kW(Ps)/r/min) One-hour power/speed	3234(4400)/1548	2910.6(3960)/1393	2668.6(3630)/1393	2910.6(3960)/1500	2668.6(3630)/1500
最低燃油消耗率 (g/kW·h) Min. specific fuel consumption	≤191				
机油消耗率 (g/kW·h) Specific oil consumption	≤0.6				
机油容量 (L) Engine oil capacity	370				
最低工作稳定转速 (r/min) Min. steady working speed	≤675	≤608		/	
曲轴旋转方向 (面向功率输出端) Crankshaft rotation direction (see from power output end)	逆时针 Anticlockwise				
启动方式 Starting way	电启动 Electrical				
净质量 (kg) Net weight	12000				
外形尺寸 (长×宽×高) (mm) Overall dimensions (LxWxH)	3800 × 1966 × 2418				
适配减速齿轮箱/船用机组 Matched reduction gearbox or marine get-set	JT2800等etc			2400kW	2200kW
证书 Certificate	CCS、EIAPP、国II			ZC、CCS、EIAPP、国II	

# YC16VCX/YC16VC 系列船舶动力

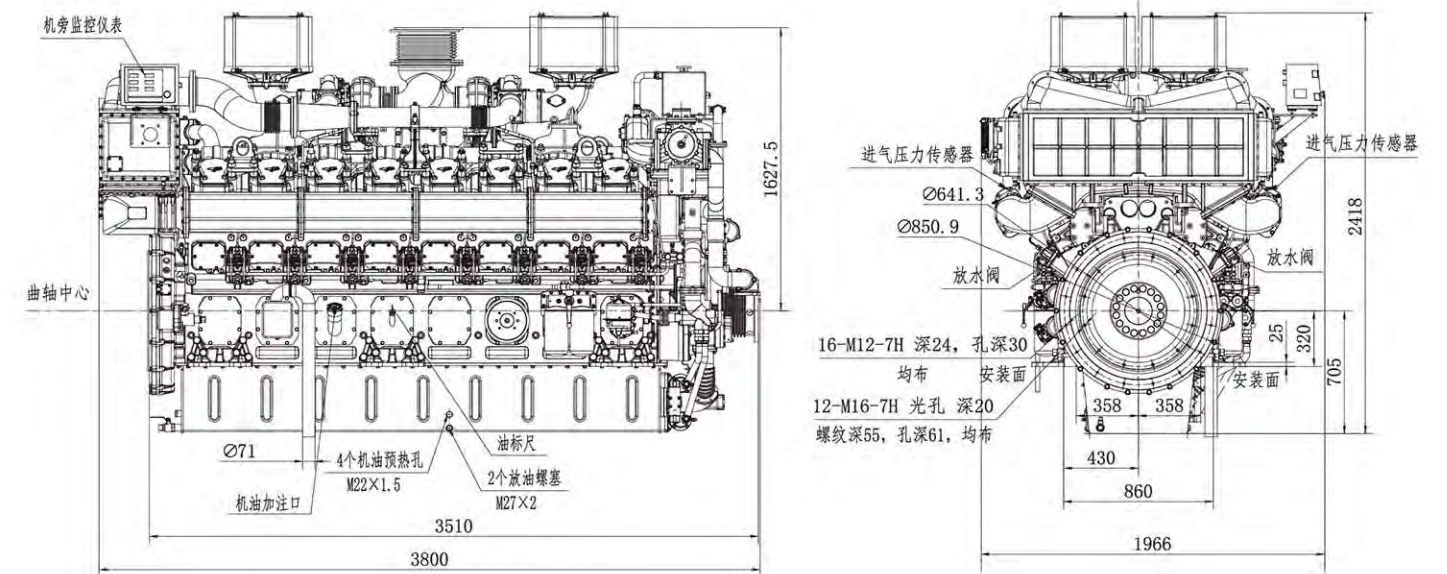
## SERIES MARINE DIESEL ENGINE

电控技术 省油环保  
ELECTRONIC CONTROL TECHNOLOGY FUEL  
SAVING AND ENVIRONMENTAL PROTECTION

### ▶ YC16VC主要技术参数 Technical Data

型号 Model	YC16VC3000L-C20	YC16VC2700L-C20	YC16VC2700L-C23	YC16VC2400L-C20
型式 Type	立式、V形、水冷、四冲程 Vertical, "V" shape, water-cooled, four-stroke			
进气方式 Intake way	增压中冷 Turbo-charged & inter-cooled			
气缸数-缸径×行程 No. of cylinders - Bore × Stroke (mm)	16-200×210			
活塞排量 Displacement (L)	105.56			
压缩比 Compression ratio	13.5:1			
持续功率/转速 Continuous power/speed (kW(Ps)/r/min)	2206(3000)/1500	1985(2700)/1350	1985(2700)/1500	1764(2400)/1200
超负荷功率/转速 One-hour power/speed (kW(Ps)/r/min)	2426.6(3300)/1548	2183.5(2970)/1393	2183.5(2970)/1548	1940.4(2640)/1238
最低燃油消耗率 Min. specific fuel consumption (g/kW·h)	≤195			
机油消耗率 Specific oil consumption (g/kW·h)	≤0.6			
机油容量 Engine oil capacity (L)	370			
最低工作稳定转速 Min. steady working speed (r/min)	≤675	≤608	≤675	≤540
曲轴旋转方向(面向功率输出端) Crankshaft rotation direction (see from power output end)	逆时针 Anticlockwise			
起动方式 Starting way	电起动 Electrical			
净质量 Net weight (kg)	12000			
外形尺寸(长×宽×高) Overall dimensions (LxWxH) (mm)	3756×1818×2414			
适配减速齿轮箱 Matched reduction gearbox	1600、2000等etc			
证书 Certificate	CCS、EIAPP、国II			

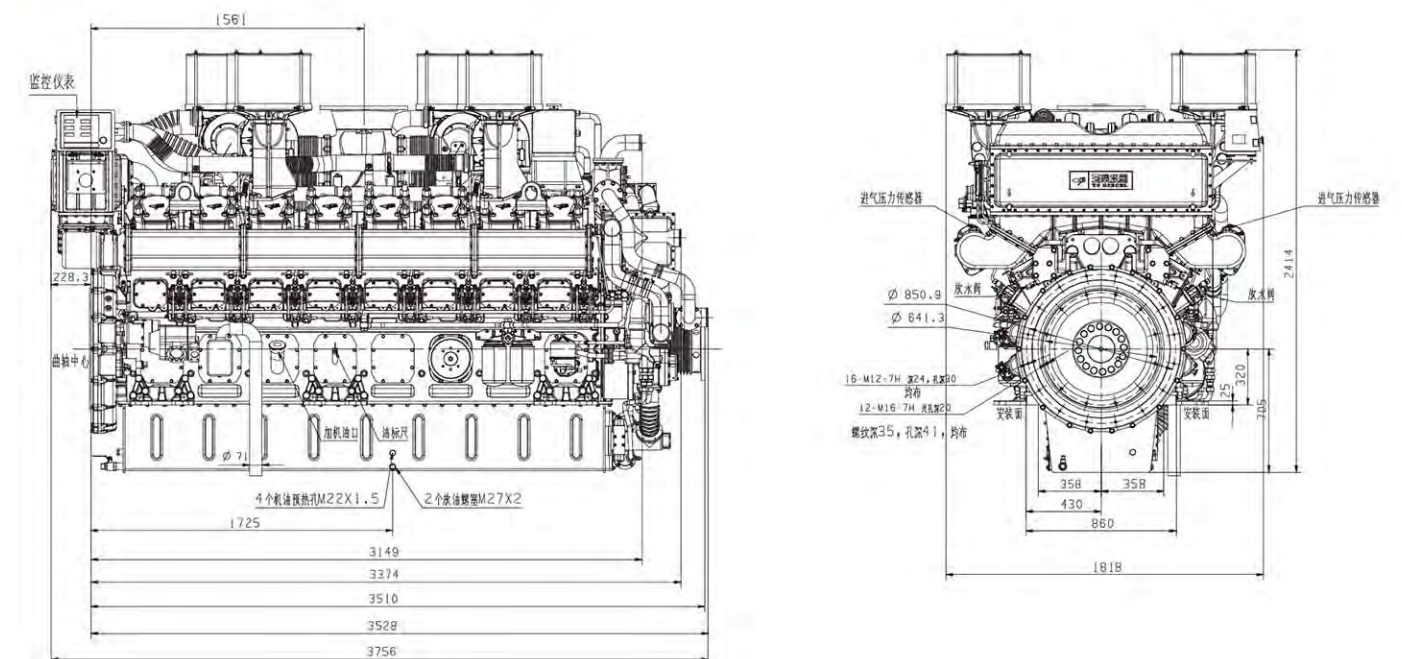
### ▶ YC16VCX外形安装尺寸图 Installation Drawing



### ▶ YC16VC主要技术参数 Technical Data

型号 Model	YC16VC3000L-C22	YC16VC2610L-C20	YC16VC2400L-C22
型式 Type	立式、V形、水冷、四冲程 Vertical, "V" shape, water-cooled, four-stroke		
进气方式 Intake way	增压中冷 Turbo-charged & inter-cooled		
气缸数-缸径×行程 No. of cylinders - Bore × Stroke (mm)	16-200×210		
活塞排量 Displacement (L)	105.56		
压缩比 Compression ratio	13.5:1		
持续功率/转速 Continuous power/speed (kW(Ps)/r/min)	2206(3000)/1500	1920(2610)/1500	1764(2400)/1500
超负荷功率/转速 One-hour power/speed (kW(Ps)/r/min)	2426.6(3300)/1500	2112(2870)/1500	1940.4(2640)/1500
最低燃油消耗率 Min. specific fuel consumption (g/kW·h)	≤195		
机油消耗率 Specific oil consumption (g/kW·h)	≤0.6		
机油容量 Engine oil capacity (L)	370		
最低工作稳定转速 Min. steady working speed (r/min)	/		
曲轴旋转方向(面向功率输出端) Crankshaft rotation direction (see from power output end)	逆时针 Anticlockwise		
起动方式 Starting way	电起动 Electrical		
净质量 Net weight (kg)	12000		
外形尺寸(长×宽×高) Overall dimensions (LxWxH) (mm)	3756×1818×2414		
适配船用机组 Adapted for marine gen-set (kW)	2000	1700	1600
证书 Certificate	CCS、EIAPP、国II		

### ▶ YC16VC外形安装尺寸图 Installation Drawing



# YC12VC

SERIES MARINE DIESEL ENGINE  
系列船舶动力(1800~2200马力)

电控技术 省油环保

ELECTRONIC CONTROL TECHNOLOGY FUEL  
SAVING AND ENVIRONMENTAL PROTECTION

## ▶ 机型介绍 Model is Introduced

YC12VC船机是在12VC发电成熟机型基础上开发的一款V型船用柴油机，是玉柴针对海上工程装备和大型船舶的使用工况，融合德国、美国、日本先进柴油机技术研发，完全按照欧洲现代发动机开发流程开发的新一代船舶动力，是各类船舶理想的配套动力。

YC12VC is a V-type marine diesel engine developed on the basis of the mature model of 12VC G-Drive engine. an ideal supporting power for all kinds of ships and specific to the working conditions of offshore engineering equipment and large ships, is a new generation of marine power developed by Yuchai in combination with the advanced diesel engine technology of Germany, the United States and Japan and in full accordance with the development process for modern European engine.



## ▶ 主要机型特点 Features

### 节能环保

● 新一代电控单体泵高效节能技术，结合国内外先进设计成果，高低温冷却技术、增压中冷、四气门技术，满足IMO TierII 排放要求，保证整机既节能又环保。

### 结构紧凑

● 体积小、重量轻，安装维护方便；凸轮轴采用喷油与配气凸轮一体方案，确保整机紧凑。

### 可靠性高

● 采用曲面和加强筋结构机体，结合锻造合金钢曲轴与合金钢材料连杆，大大减轻主轴瓦的冲击力，确保整机可靠耐用。

### 加载能力强

● 采用电控单体泵技术及开创性四增压器并联技术，保证了整机瞬态调速性好，加载能力强。

### 维修性好

● 进气管两侧布置，维修接近性好；一缸一盖结构并借用了平台机型多年应用的成熟气缸盖，维修方便；采用自主专利技术设计的盘车机构方便维修。

### Energy conservation and environmental protection

● Electric monomer pump is a new generation of high efficiency and energy saving technology, combined with domestic and foreign advanced design, high and low water cooling technology, turbocharged inter-cooled, four valve technology, meet IMO TierII emissions requirements, guarantee the machine both energy saving and environmental protection.

### Compact structure

● Small volume, light weight, easy installation and maintenance; The camshaft using injection for treating with integrated solutions, to ensure the machine is compact.

### High reliability

● Use the high strength of cylinder block structure, combined with forging steel crankshaft connecting rod with alloy steel material, significantly reducing the impact of the main shaft tile, ensure the machine is reliable and durable.

### Load ability

● Using electric monomer pump technology and pioneering four implement parallel technology, to ensure the engine transient speed and load ability.

### Good maintainability

● The two sides of the inlet pipe are arranged, and the maintenance is close. The cylinder and cover structure has borrowed the mature cylinder cover which has been used for many years by the model of the platform. The disk drive mechanism designed by self-patent technology is convenient for maintenance.

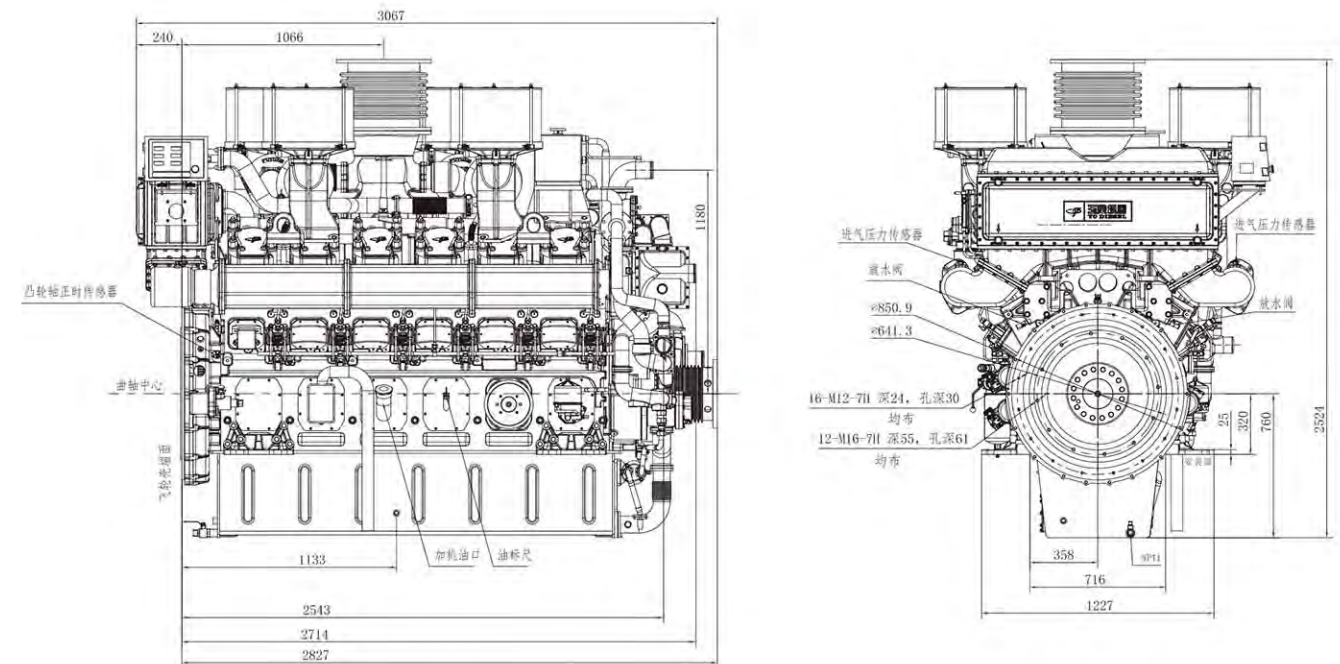
## ▶ YC12VC主要技术参数 Technical Data

型号 Model	YC12VC2200L-C20	YC12VC2000L-C20
型式 Type	立式、V形、水冷、四冲程 Vertical, "V" shape, water-cooled, four-stroke	
进气方式 Intake way	增压中冷 Turbo-charged & inter-cooled	
气缸数-缸径×行程 (mm) No. of cylinders - Bore × Stroke	12-200×210	
活塞排量 Displacement (L)	79.17	
压缩比 Compression ratio	13.5:1	
持续功率/转速 (kW(Ps)/r/min) Continuous power/speed	1618(2200)/1500	1470(2000)/1500
超负荷功率/转速 (kW(Ps)/r/min) One-hour power/speed	1779.8(2420)/1548	1617(2200)/1548
最低燃油消耗率 (g/kW·h) Min. specific fuel consumption	≤195	
机油消耗率 (g/kW·h) Specific oil consumption	≤0.5	
机油容量 (L) Engine oil capacity	280	
最低工作稳定转速 (r/min) Min. steady working speed	≤675	
曲轴旋转方向 (面向功率输出端) Crankshaft rotation direction (see from power output end)	逆时针 Anticlockwise	
起动方式 Starting way	电起动 Electrical	
净质量 (kg) Net weight	8380	
外形尺寸 (长×宽×高) (mm) Overall dimensions (LxWxH)	3067×1792×2524	
适配减速齿轮箱 Matched reduction gearbox	1600等etc	
证书 Certificate	ZC、CCS、EIAPP、国II	

### ▶ YC12VC主要技术参数 Technical Data

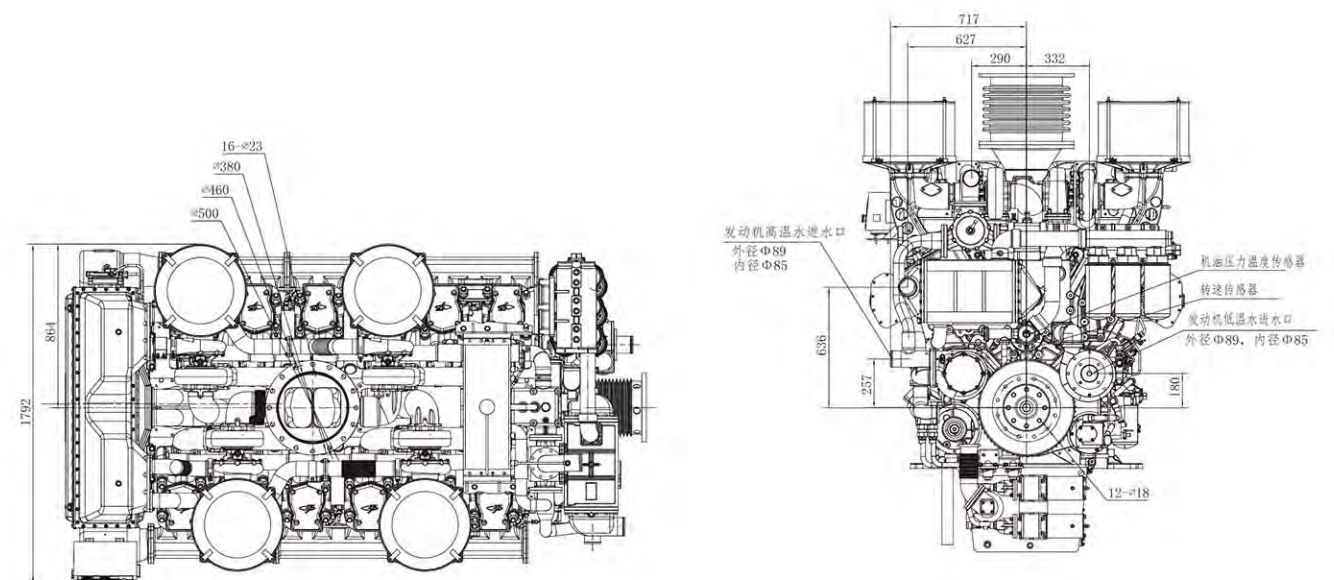
型号 Model	YC12VC2000L-C23	YC12VC1800L-C20
型式 Type	立式、V形、水冷、四冲程 Vertical, "V" shape, water-cooled, four-stroke	
进气方式 Intake way	增压中冷 Turbo-charged & inter-cooled	
气缸数-缸径×行程 (mm) No. of cylinders - Bore × Stroke	12-200 × 210	
活塞排量 Displacement (L)	79.17	
压缩比 Compression ratio	13.5:1	
持续功率/转速 (kW(Ps)/r/min) Continuous power/speed	1470(2000)/1350	1323(1800)/1200
超负荷功率/转速 (kW(Ps)/r/min) One-hour power/speed	1617(2200)/1393	1455.3(1980)/1238
最低燃油消耗率 (g/kW·h) Min. specific fuel consumption	≤ 195	
机油消耗率 (g/kW·h) Specific oil consumption	≤ 0.5	
机油容量 (L) Engine oil capacity	280	
最低工作稳定转速 (r/min) Min. steady working speed	≤ 608	≤ 540
曲轴旋转方向 (面向功率输出端) Crankshaft rotation direction (see from power output end)	逆时针 Anticlockwise	
起动方式 Starting way	电起动 Electrical	
净质量 (kg) Net weight	8380	
外形尺寸 (长×宽×高) (mm) Overall dimensions (LxWxH)	3067 × 1792 × 2524	
适配减速齿轮箱 Matched reduction gearbox	1600等etc	
证书 Certificate	ZC、CCS、EIAPP、国II	

### ▶ YC12VC外形安装尺寸图 Installation Drawing



### ▶ YC12VC主要技术参数 Technical Data

型号 Model	YC12VC2120L-C22	YC12VC2000L-C22	YC12VC1850L-C22
型式 Type	立式、V形、水冷、四冲程 Vertical, "V" shape, water-cooled, four-stroke		
进气方式 Intake way	增压中冷 Turbo-charged & inter-cooled		
气缸数-缸径×行程 (mm) No. of cylinders - Bore × Stroke	12-200 × 210		
活塞排量 Displacement (L)	79.17		
压缩比 Compression ratio	13.5:1		
持续功率/转速 (kW(Ps)/r/min) Continuous power/speed	1560(2120)/1500	1470(2000)/1500	1360(1850)/1500
超负荷功率/转速 (kW(Ps)/r/min) One-hour power/speed	1716(2335)/1500	1617(2200)/1500	1496(2035)/1500
最低燃油消耗率 (g/kW·h) Min. specific fuel consumption	≤ 195		
机油消耗率 (g/kW·h) Specific oil consumption	≤ 0.5		
机油容量 (L) Engine oil capacity	280		
最低工作稳定转速 (r/min) Min. steady working speed	/		
曲轴旋转方向 (面向功率输出端) Crankshaft rotation direction (see from power output end)	逆时针 Anticlockwise		
起动方式 Starting way	电起动 Electrical		
净质量 (kg) Net weight	8380		
外形尺寸 (长×宽×高) (mm) Overall dimensions (LxWxH)	3067 × 1792 × 2524		
适配船用机组 Adapted for marine gen-set	1400	1300	1200
证书 Certificate	ZC、CCS、EIAPP、国II		





# YC8CAX/YC8CL SERIES MARINE DIESEL ENGINE

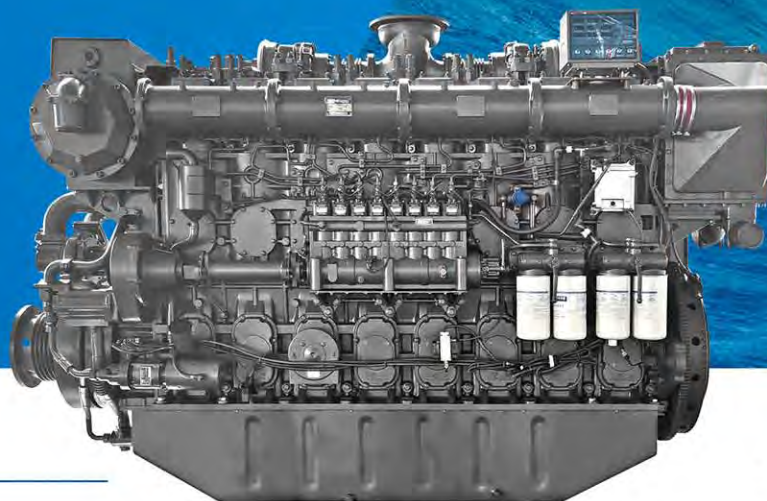
## 系列船舶动力(1400~2200马力)

电控技术 省油环保  
ELECTRONIC CONTROL TECHNOLOGY FUEL  
SAVING AND ENVIRONMENTAL PROTECTION

### ▶ 机型介绍 Model is Introduced

YC8CAX船机是在YC8CL船机成熟机型基础上开发的一款船用柴油机。YC8CAX/YC8CL船机是玉柴针对沿海、内河航运船舶，工程船和近海、远洋捕捞渔船的使用工况，融合德国、美国、日本先进柴油机技术研发，完全按照欧洲现代发动机开发流程开发的新一代船舶动力，是各类船舶理想的配套动力。

YC8CAX is a marine diesel engine developed on the basis of the mature model of YC8CL marine engine. YC8CAX/YC8CL an ideal supporting power for all kinds of ships and specific to the working conditions of coastal and inland waterway shipping vessels, engineering vessels, offshore and ocean-going fishing vessels, is a new generation of marine power developed by Yuchai in combination with the advanced diesel engine technology of Germany, the United States and Japan and in full accordance with the development process for modern European engine.



### ▶ 主要机型特点 Features

#### 动力澎湃

- 高效增压中冷技术，升功率更高，扭矩更大，功率储备足，适合各种工况使用，作业效率高。

#### 省油省钱

- 四气门技术，大幅度增加进、排气流通面积，喷油器中置，雾化更均匀，燃烧更充分，排气烟度小，油耗低，曲线平坦，经济工作区域范围更大。

#### 轻便维护

- 模块化设计，湿式缸套，气缸盖采用一缸一盖，机体开侧窗，安装维护方便。

#### 结构紧凑

- 机体大量采用弧形结构，使整体强度更高，重量更小，紧凑型的小缸心距，使整机尺寸更小、更紧凑。

#### 安全可靠舒适

- 高强度合金铸铁机体和整体锻钢曲轴，特殊的双保险防冲垫结构，确保发动机安全运行，水冷排气管设计，有效降低机舱环境温度，更安全、舒适。

#### Strong Power

- High efficient Turbocharged & Inter-cooled technology, higher power per liter, larger torque, sufficient power reserve, which is applicable to various working conditions with high operation efficiency.

#### Fuel economy

- Four-valve per cylinder technology ensure more intense combustion; lower fuel consumption, flat performance curve and wider economy working area.

#### Easy maintenance

- Modular design, wet cylinder liner, one cylinder one cover, side window on cylinder block, easy installation and maintainance

#### Compact structure

- Adoption of arc structure for cylinder block, ensure high strength and light on weight, compact small cylinder center distance, ensure whole size smaller and more compact.

#### Safe, reliable and comfortable

- High strength alloy cast iron body and monolithic forged steel crankshaft, special structure to prevent cylinder gasket from destroying ensure safety operation, Water cooled exhaust pipe design, effectively reduce the cabin environment temperature, safer and more comfortable.

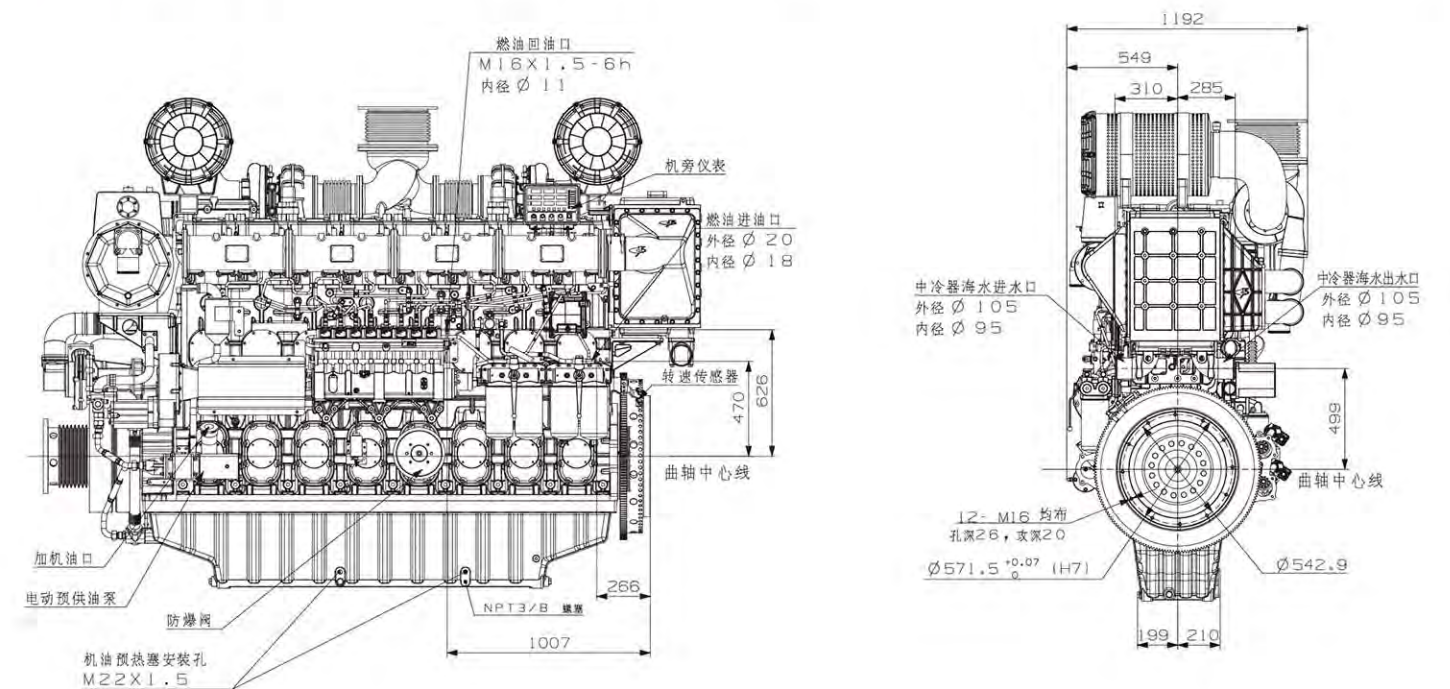
### ▶ YC8CAX主要技术参数 Technical Data

型号 Model	YC8CAX2200L-C20	YC8CAX2000L-C20
型式 Type	直列、水冷、立式、四冲程、直喷式 Vertical, in-line, water-cooled, four-stroke	
进气方式 Intake way	增压中冷 Turbo-charged & inter-cooled	
气缸数-缸径×行程 (mm) No. of cylinders - Bore × Stroke	8-215 × 320	
活塞排量 Displacement (L)	92.89	
压缩比 Compression ratio	14:1	
持续功率/转速 (kW(Ps)/r/min) Continuous power/speed	1618(2200)/1000	1470(2000)/1000
超负荷功率/转速 (kW(Ps)/r/min) One-hour power/speed	1779.8(2420)/1032	1617(2200)/1032
最低燃油消耗率 (g/kW·h) Min. specific fuel consumption	≤ 195	
机油消耗率 (g/kW·h) Specific oil consumption	≤ 0.5	
机油容量 Engine oil capacity (L)	250~260	
最低工作稳定转速 (r/min) Min. steady working speed	≤ 400	
曲轴旋转方向 (面向功率输出端) Crankshaft rotation direction (see from power output end)	逆时针 Anticlockwise	
起动方式 Starting way	电起动 Electrical	
净质量 Net weight (kg)	7700	
外形尺寸 (长×宽×高) (mm) Overall dimensions (LxWxH)	3258 × 1192 × 2426	
适配减速齿轮箱 Matched reduction gearbox	1600等etc	
证书 Certificate	ZC、CCS、EIAPP、国II	

### ▶ YC8CL主要技术参数 Technical Data

型号 Model	YC8CL1800L-C20	YC8CL1600L-C20	YC8CL1500L-C20	YC8CL1400L-C20
型式 Type	直列、水冷、立式、四冲程、直喷式 Vertical, in-line, water-cooled, four-stroke			
进气方式 Intake way	增压中冷 Turbo-charged & inter-cooled			
气缸数-缸径×行程 (mm) No. of cylinders - Bore × Stroke	8-200×290			
活塞排量 Displacement (L)	72.88			
压缩比 Compression ratio	14.5:1			
持续功率/转速 (kW(Ps)/r/min) Continuous power/speed	1324(1800)/1000	1176(1600)/1000	1103(1500)/1000	1029(1400)/1000
超负荷功率/转速 (kW(Ps)/r/min) One-hour power/speed	1456.4(1980)/1032	1293.6(1760)/1032	1213.3(1650)/1032	1131.9(1540)/1032
最低燃油消耗率 (g/kW·h) Min. specific fuel consumption	≤195			
机油消耗率 (g/kW·h) Specific oil consumption	≤0.5			
机油容量 (L) Engine oil capacity	250-260			
最低工作稳定转速 (r/min) Min. steady working speed	≤400			
曲轴旋转方向 (面向功率输出端) Crankshaft rotation direction (see from power output end)	逆时针 Anticlockwise			
起动方式 Starting way	电起动 (气起动可选) Electrical (Gas start is optional)			
净质量 (kg) Net weight	6500			
外形尺寸 (长×宽×高) (mm) Overall dimensions (LxWxH)	3175×1315×2438			
适配减速齿轮箱 Matched reduction gearbox	1200、1400等etc			
证书 Certificate	ZC、CCS、EIAPP、国II			

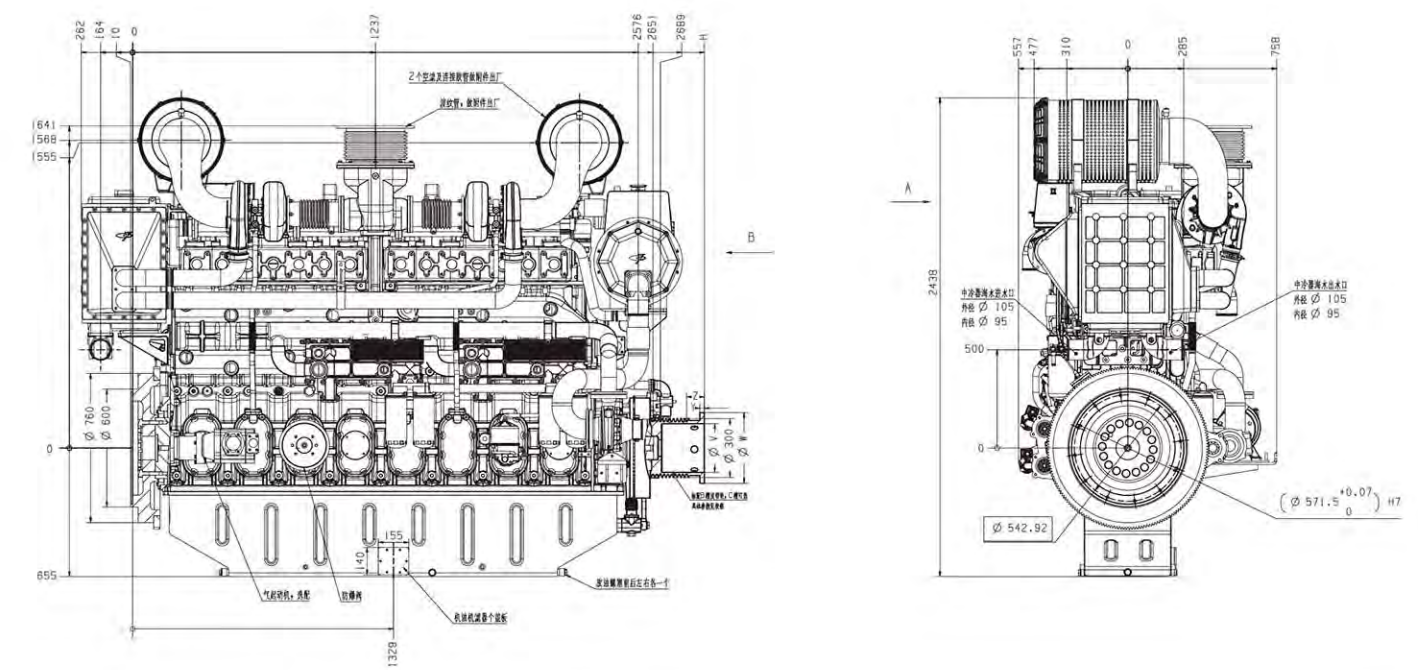
### ▶ YC8CAX外形安装尺寸图 Installation Drawing



### ▶ YC8CL主要技术参数 Technical Data

型号 Model	YC8CL1630L-C20
型式 Type	直列、水冷、立式、四冲程、直喷式 Vertical, in-line, water-cooled, four-stroke
进气方式 Intake way	增压中冷 Turbo-charged & inter-cooled
气缸数-缸径×行程 (mm) No. of cylinders - Bore × Stroke	8-200×290
活塞排量 Displacement (L)	72.88
压缩比 Compression ratio	14.5:1
持续功率/转速 (kW(Ps)/r/min) Continuous power/speed	1200(1630)/1000
超负荷功率/转速 (kW(Ps)/r/min) One-hour power/speed	1320(1790)/1000
最低燃油消耗率 (g/kW·h) Min. specific fuel consumption	≤195
机油消耗率 (g/kW·h) Specific oil consumption	≤0.5
机油容量 (L) Engine oil capacity	250-260
最低工作稳定转速 (r/min) Min. steady working speed	/
曲轴旋转方向 (面向功率输出端) Crankshaft rotation direction (see from power output end)	逆时针 Anticlockwise
起动方式 Starting way	电起动 (气起动可选) Electrical (Gas start is optional)
净质量 (kg) Net weight	6500
外形尺寸 (长×宽×高) (mm) Overall dimensions (LxWxH)	3175×1315×2438
适配船用机组 Adapted for marine gen-set	1000
证书 Certificate	ZC、CCS、EIAPP、国II

### ▶ YC8CL外形安装尺寸图 (水冷排气管) Installation Drawing (Water-cooled exhaust manifold)



# YC6CA/YC6CL/YC6C SERIES MARINE DIESEL ENGINE

## 系列船舶动力(960~1600马力)

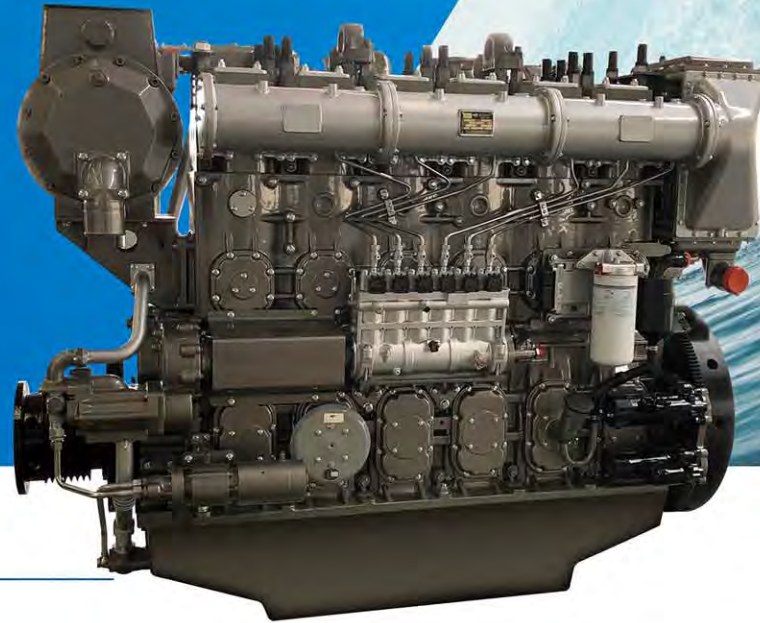
电控技术 省油环保

ELECTRONIC CONTROL TECHNOLOGY FUEL SAVING AND ENVIRONMENTAL PROTECTION

### ▶ 机型介绍 Model is Introduced

YC6CA/YC6CL/YC6C船机是玉柴针对内河航运船舶和海洋捕捞渔船的使用工况，融合德国、美国、日本先进柴油技术研发，完全按照欧洲现代发动机开发流程开发的新一代船舶动力，是各类船舶理想的配套动力。400~800kW船用发电机组的理想动力。

YC6CA/YC6CL/YC6C Series Marine engine are developed for the operating condition of inland river shipping and oceanic fishing boat, with the adoption of advanced technology of Germany, USA, Japan, fully in accordance with the European modern engine development process. It is used as the ideal power for all kinds of marine and 400-800kW auxiliary genset.



### ▶ 主要机型特点 Features

#### 动力澎湃

- 高效增压中冷技术，升功率更高，扭矩更大，功率储备足，适合各种工况使用，作业效率高。

#### 省油省钱

- 四气门技术，大幅度增加进、排气流通面积，喷油器中置，雾化更均匀，燃烧更充分，排气烟度小，油耗低，曲线平坦，经济工作区域范围更大。

#### 轻便维护

- 模块化设计，湿式缸套，气缸盖采用一缸一盖，机体开侧窗，安装维护方便。

#### 结构紧凑

- 机体大量采用弧形结构，使整体强度更高，重量更小，紧凑型的小缸心距，使整机尺寸更小、更紧凑。

#### 安全可靠舒适

- 高强度合金铸铁机体和整体锻钢曲轴，特殊的双保险防冲垫结构，确保发动机安全运行，水冷排气管设计，有效降低机舱环境温度，更安全、舒适。

#### Strong Power

- High efficient Turbocharged & Inter-cooled technology, higher power per liter, larger torque, sufficient power reserve, which is applicable to various working conditions with high operation efficiency.

#### Fuel economy

- Four-valve per cylinder technology ensure more intense combustion; lower fuel consumption, flat performance curve and wider economy working area.

#### Easy maintenance

- Modular design, wet cylinder liner, one cylinder one cover, side window on cylinder block, easy installation and maintainance

#### Compact structure

- Adoption of arc structure for cylinder block, ensure high strength and light on weight, compact small cylinder center distance, ensure whole size smaller and more compact.

#### Safe, reliable and comfortable

- High strength alloy cast iron body and monolithic forged steel crankshaft, special structure to prevent cylinder gasket from destroying ensure safety operation, Water cooled exhaust pipe design, effectively reduce the cabin environment temperature, safer and more comfortable.

### ▶ YC6CA主要技术参数 Technical Data

型号 Model	YC6CA1600L-C20	YC6CA1400C	YC6CA1400L-C22	YC6CA1300L-C20
型式 Type	直列、水冷、立式、四冲程、直喷式、不可逆转 Vertical, in-line, water-cooled, four-stroke, irreversible			
进气方式 Intake way	增压中冷 Turbo-charged & inter-cooled			
气缸数-缸径×行程 (mm) No. of cylinders - Bore × Stroke	6-200 × 320			
活塞排量 Displacement (L)	60.3			
压缩比 Compression ratio	13:1			
持续功率/转速 (kW(Ps)/r/min) Continuous power/speed	1176(1600)/1000	1029(1400)/1000	1029(1400)/1000	956(1300)/1000
超负荷功率/转速 (kW(Ps)/r/min) One-hour power/speed	1293.6(1760)/1032	1131.9(1540)/1032	1131.9(1540)/1000	1051.6(1430)/1000
最低燃油消耗率 (g/kW·h) Min. specific fuel consumption	195			
机油消耗率 (g/kW·h) Specific oil consumption	≤1.0			
机油容量 (L) Engine oil capacity	130~160			
最低工作稳定转速 (r/min) Min. steady working speed	≤400		/	
曲轴旋转方向 (面向功率输出端) Crankshaft rotation direction (see from power output end)	逆时针 Anticlockwise			
起动方式 Starting way	电起动 (气起动可选) Electrical (Gas start is optional)			
净质量 (kg) Net weight	5500			
外形尺寸 (长×宽×高) (mm) Overall dimensions (LxWxH)	2496 × 1316 × 2163			
适配减速齿轮箱/船用机组 Matched reduction gearbox or marine get-set	1200、1400等etc		900kW	800kW
证书 Certificate	ZC、CCS、EIAPP、国II			

### ▶ YC6CL主要技术参数 Technical Data

型号 Model	YC6CL1200L-C20	YC6CL1135L-C20	YC6CL1035L-C20	YC6CL960L-C20
型式 Type	直列、水冷、立式、四冲程、直喷式 Vertical, in-line, water-cooled, four-stroke			
进气方式 Intake way	增压中冷 Turbo-charged & inter-cooled			
气缸数-缸径×行程 No. of cylinders - Bore × Stroke (mm)	6-200×290			
活塞排量 Displacement (L)	54.6			
压缩比 Compression ratio	14.5:1			
持续功率/转速 Continuous power/speed (kW(Ps)/r/min)	882(1200)/1000	835(1135)/1000	760(1035)/1000	706(960)/1000
超负荷功率/转速 One-hour power/speed (kW(Ps)/r/min)	970(1320)/1032	918.5(1250)/1032	836(1140)/1032	776.6(1060)/1032
最低燃油消耗率 Min. specific fuel consumption (g/kW·h)	≤195			
机油消耗率 Specific oil consumption (g/kW·h)	≤0.5			
机油容量 Engine oil capacity (L)	130~160			
最低工作稳定转速 Min. steady working speed (r/min)	≤400			
曲轴旋转方向(面向功率输出端) Crankshaft rotation direction (see from power output end)	逆时针 Anticlockwise			
起动方式 Starting way	电起动(气起动可选) Electrical (Gas start is optional)			
净质量 Net weight (kg)	5380kg			
外形尺寸(长×宽×高) Overall dimensions (LxWxH) (mm)	2496×1150×2163			
适配减速齿轮箱 Matched reduction gearbox	1200、1400等etc			
证书 Certificate	ZC、CCS、EIAPP、国II			

### ▶ YC6C主要技术参数 Technical Data

型号 Model	YC6C1100L-C20	YC6C960L-C23
型式 Type	直列、水冷、立式、四冲程、直喷式 Vertical, in-line, water-cooled, four-stroke	
进气方式 Intake way	增压中冷 Turbo-charged & inter-cooled	
气缸数-缸径×行程 No. of cylinders - Bore × Stroke (mm)	6-200×210	
活塞排量 Displacement (L)	39.58	
压缩比 Compression ratio	13.5:1	
持续功率/转速 Continuous power/speed (kW(Ps)/r/min)	810(1100)/1500	706(960)/1350
超负荷功率/转速 One-hour power/speed (kW(Ps)/r/min)	891(1210)/1548	776.6(1060)/1393
最低燃油消耗率 Min. specific fuel consumption (g/kW·h)	≤195	
机油消耗率 Specific oil consumption (g/kW·h)	≤0.5	
机油容量 Engine oil capacity (L)	130~160	
最低工作稳定转速 Min. steady working speed (r/min)	≤675	≤608
曲轴旋转方向(面向功率输出端) Crankshaft rotation direction (see from power output end)	逆时针 Anticlockwise	
起动方式 Starting way	电起动(气起动可选) Electrical (Gas start is optional)	
净质量 Net weight (kg)	4700	
外形尺寸(长×宽×高) Overall dimensions (LxWxH) (mm)	2476×1145×1974	
适配减速齿轮箱 Matched reduction gearbox	600、800等etc	
证书 Certificate	ZC、CCS、EIAPP、国II	

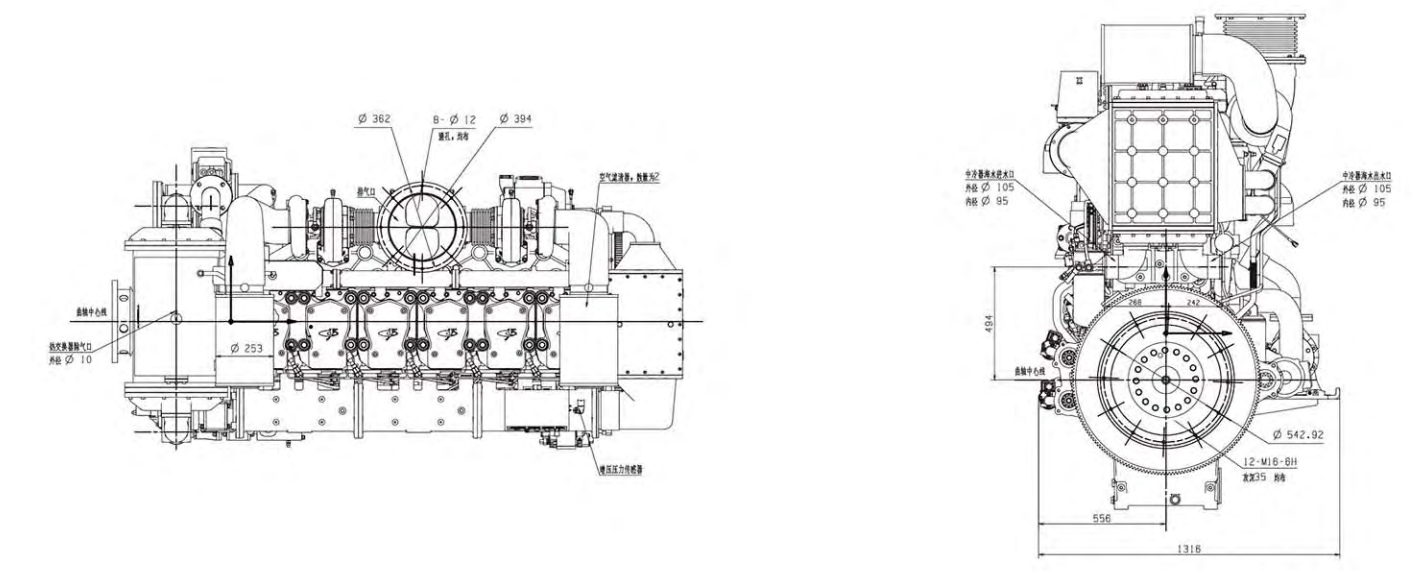
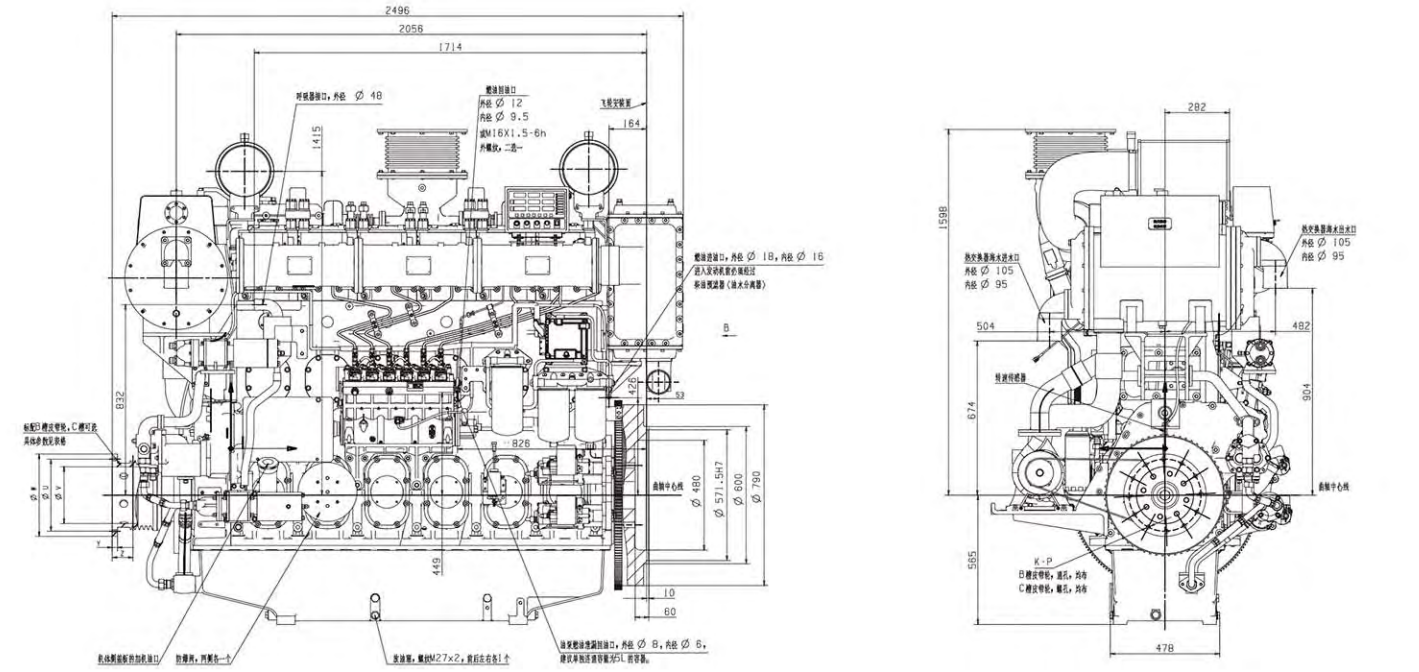
### ▶ YC6CL主要技术参数 Technical Data

型号 Model	YC6CL1135L-C22	YC6CL1035L-C20	YC6CL960L-C22
型式 Type	直列、水冷、立式、四冲程、直喷式 Vertical, in-line, water-cooled, four-stroke		
进气方式 Intake way	增压中冷 Turbo-charged & inter-cooled		
气缸数-缸径×行程 No. of cylinders - Bore × Stroke (mm)	6-200×290		
活塞排量 Displacement (L)	54.6		
压缩比 Compression ratio	14.5:1		
持续功率/转速 Continuous power/speed (kW(Ps)/r/min)	835(1135)/1000	760(1035)/1000	706(960)/1000
超负荷功率/转速 One-hour power/speed (kW(Ps)/r/min)	918.5(1250)/1000	836(1140)/1000	776.6(1055)/1000
最低燃油消耗率 Min. specific fuel consumption (g/kW·h)	≤195		
机油消耗率 Specific oil consumption (g/kW·h)	≤0.5		
机油容量 Engine oil capacity (L)	130~160		
最低工作稳定转速 Min. steady working speed (r/min)	/		
曲轴旋转方向(面向功率输出端) Crankshaft rotation direction (see from power output end)	逆时针 Anticlockwise		
起动方式 Starting way	电起动(气起动可选) Electrical (Gas start is optional)		
净质量 Net weight (kg)	5380		
外形尺寸(长×宽×高) Overall dimensions (LxWxH) (mm)	2496×1150×2163		
适配船用机组 Adapted for marine gen-set (kW)	700	630	600
证书 Certificate	ZC、CCS、EIAPP、国II		

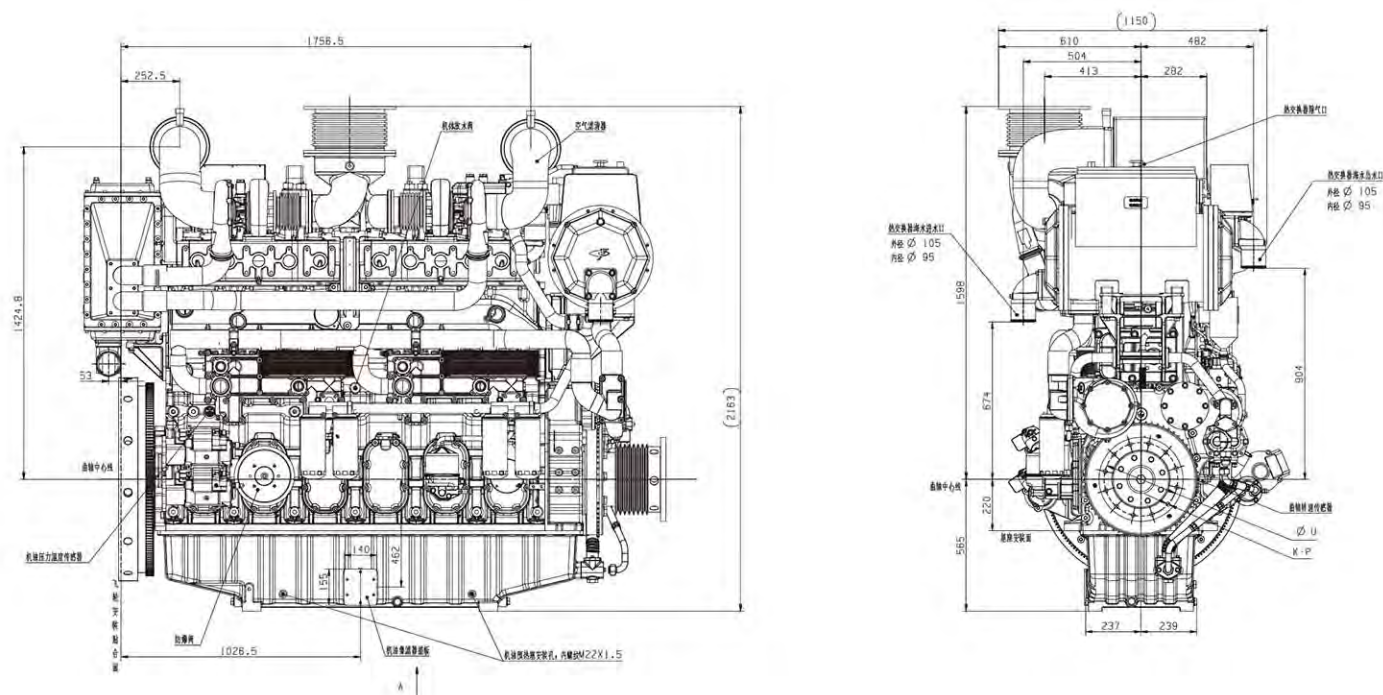




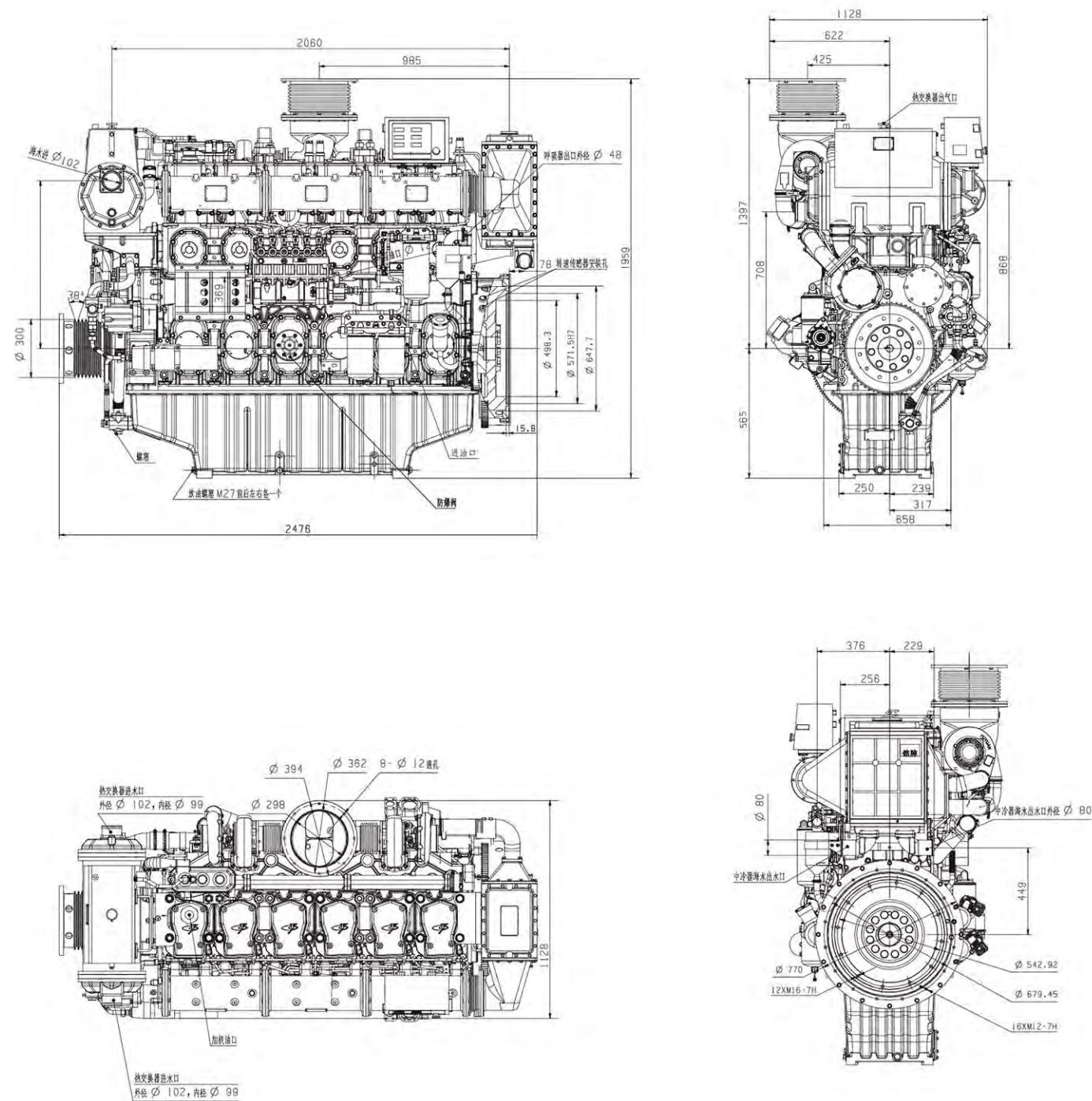
▶ YC6CA外形安装尺寸图 Installation Drawing



▶ YC6CL外形安装尺寸图 Installation Drawing



▶ YC6C外形安装尺寸图 Installation Drawing



# YC6TF

SERIES MARINE DIESEL ENGINE  
系列船舶动力(720~1000马力)

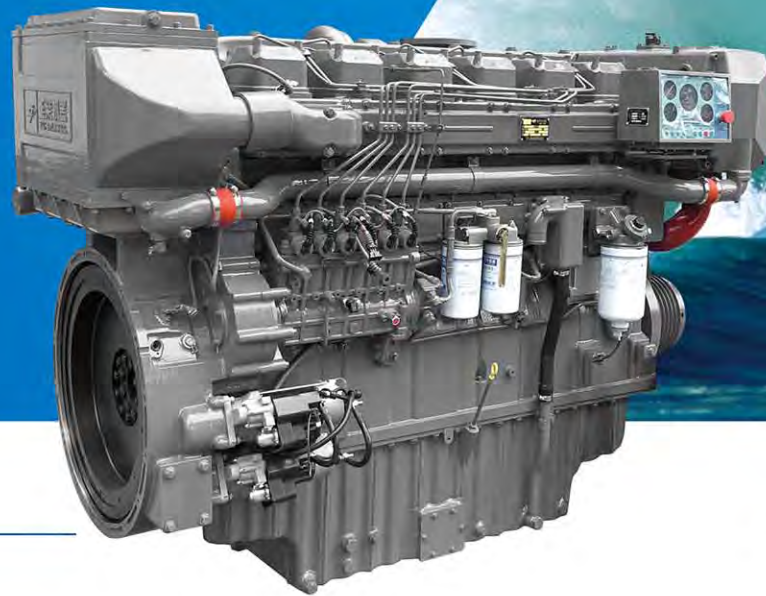
电控技术 省油环保

ELECTRONIC CONTROL TECHNOLOGY FUEL  
SAVING AND ENVIRONMENTAL PROTECTION

## 机型介绍 Model is Introduced

YC6TF是玉柴融合德国、美国、日本先进的柴油机技术，采用高效节能的电控策略，并针对船舶使用要求专门开发的一代船舶动力，是各类船舶理想的配套动力。500~700kW船用发电机组的理想动力。

YC6TF Integrated the advanced technology of Germany, America and Japan. YC6TF is the new generation engine especially developed to meet the requirements of vessels. It is ideal for powering various kinds of vessels. It is used as the ideal power for 500-700kw auxiliary genset.



## 主要机型特点 Features

### 可靠耐用

- 高强度合金铸铁机体和整体锻钢曲轴，保证发动机安全运行，淡水冷却的中冷器，使用寿命更长、更可靠。水冷排气管设计，有效降低机舱环境温度，更安全、舒适。

### 省油省钱

- 四气门技术，大幅度增加进、排气流通面积，雾化更均匀，燃烧更充分，排气烟度小，油耗低，曲线平坦，经济工作区域范围更大。

### 维护便捷

- 模块化设计，湿式缸套，气缸盖采用一缸一盖，机体开侧窗，安装维护方便。

### 动力澎湃

- 高效增压中冷技术，升功率更高，扭矩更大，功率储备足，适合各种工况使用，作业效率高。

### Reliable and durable

- High strength alloy cast iron body and integral forging steel crankshaft, guarantee the safe operation of the engine, and fresh water cooling cold, service life is longer and more reliable. Water cooled exhaust pipe design, effectively reduce the cabin environment temperature, safer and more comfortable.

### Fuel economy

- Four valve technology, greatly increase the inlet and exhaust flow area, atomization is more uniform, burn more fully, the exhaust smoke of small, low fuel consumption, flat curve, more economic work area.

### Convenient maintenance

- Modular design, wet cylinder liner, cylinder head using a cylinder cover, open the side window, easy installation and maintenance.

### Strong Power

- High efficient Turbocharged & Inter-cooled technology, higher power per liter, larger torque, sufficient power reserve, which is applicable to various working conditions with high operation efficiency.

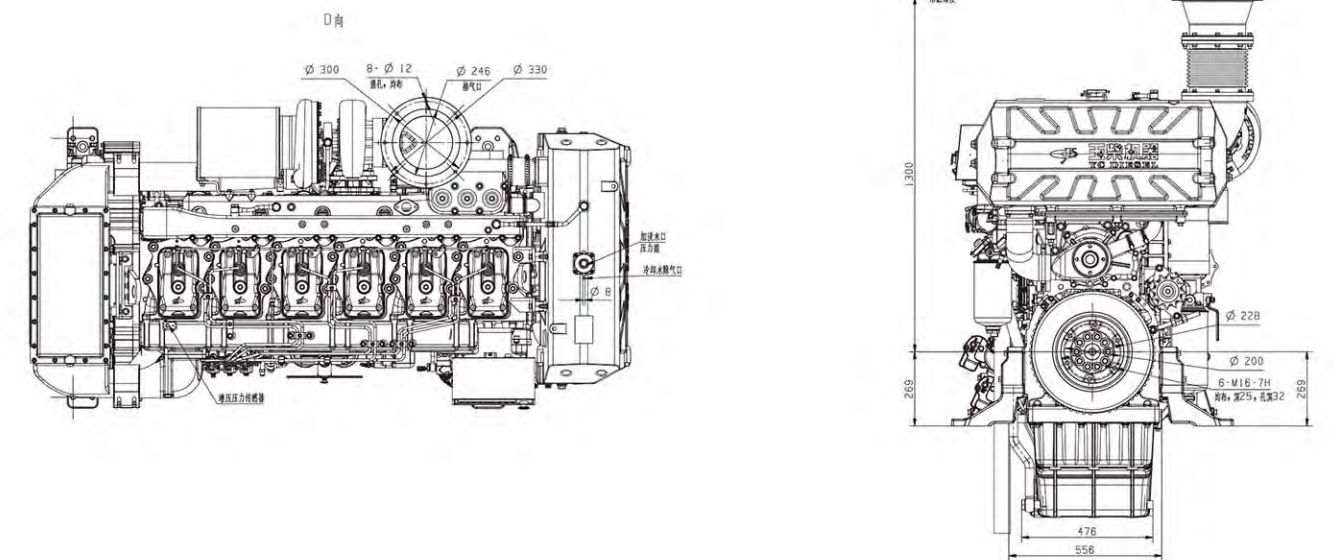
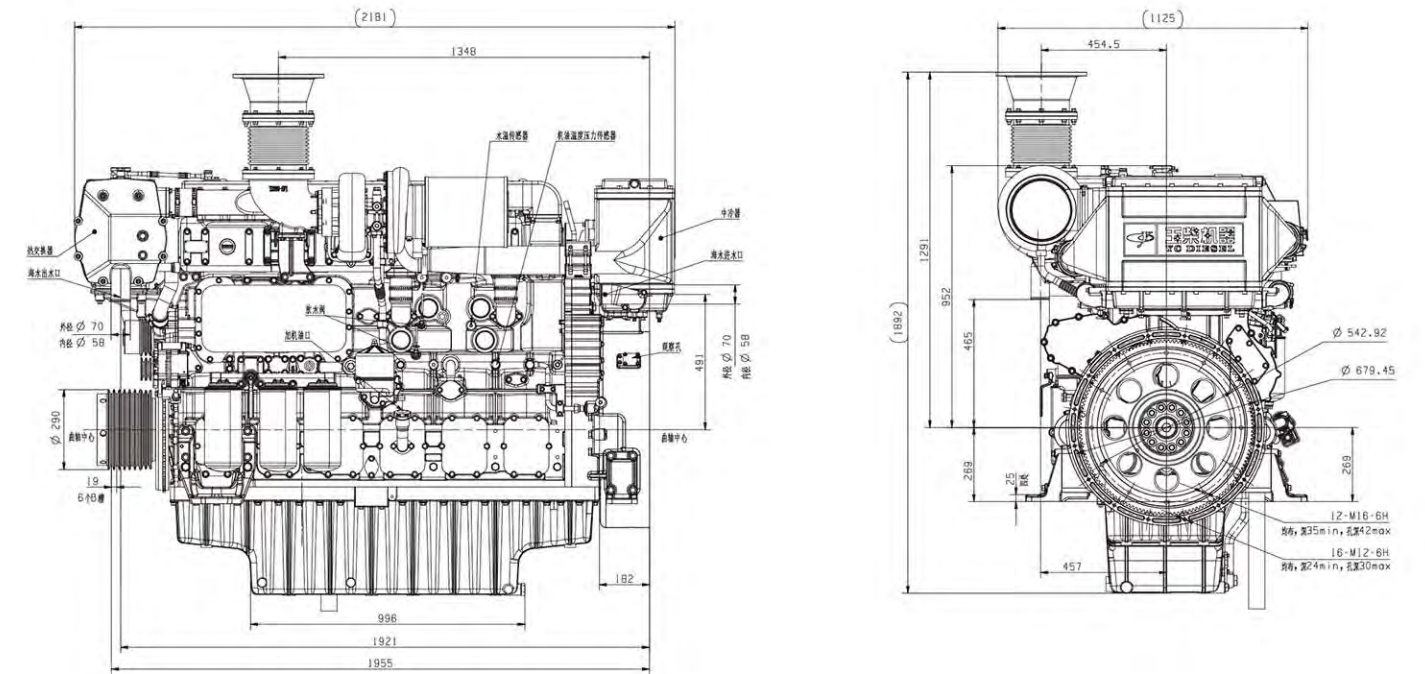
## YC6TF主要技术参数 Technical Data

型号 Model	YC6TF1000L-C20	YC6TF900L-C20	YC6TF850L-C20	YC6TF820L-C20	YC6TF720L-C20
型式 Type	立式、直列、直喷、水冷、四冲程 Vertical, in-line, water-cooled, four-stroke				
进气方式 Intake way	增压中冷 Turbo-charged & inter-cooled				
气缸数-缸径×行程 (mm) No. of cylinders - Bore × Stroke	6-175×220				
活塞排量 Displacement (L)	31.75				
压缩比 Compression ratio	15:1				
持续功率/转速 (kW(Ps)/r/min) Continuous power/speed	735(1000)/1500	660(900)/1500	625(850)/1500	603(820)/1350	530(720)/1200
超负荷功率/转速 (kW(Ps)/r/min) One-hour power/speed	808.5(1100)/1548	726(990)/1548	687.5(935)/1548	663.3(900)/1393	583(795)/1238
最低燃油消耗率 (g/kW·h) Min. specific fuel consumption	≤195				
机油消耗率 (g/kW·h) Specific oil consumption	≤0.5				
机油容量 (L) Engine oil capacity	95				
最低工作稳定转速 (r/min) Min. steady working speed	≤675		≤608		≤540
曲轴旋转方向 (面向功率输出端) Crankshaft rotation direction (see from power output end)	逆时针 Anticlockwise				
起动方式 Starting way	电起动 (气起动可选) Electrical (Gas start is optional)				
净质量 (kg) Net weight	3400				
外形尺寸 (长×宽×高) (mm) Overall dimensions (LxWxH)	2181×1125×1892				
适配减速齿轮箱 Matched reduction gearbox	800等etc				
证书 Certificate	ZC、CCS、EIAPP、国II				

### ► YC6TF主要技术参数 Technical Data

型号 Model	YC6TF980L-C22	YC6TF815L-C24	YC6TF815L-C22
型式 Type	立式、直列、直喷、水冷、四冲程 Vertical, in-line, water-cooled, four-stroke		
进气方式 Intake way	增压中冷 Turbo-charged & inter-cooled		
气缸数-缸径×行程 (mm) No. of cylinders - Bore × Stroke	6-175×220		
活塞排量 Displacement (L)	31.75		
压缩比 Compression ratio	15:1		
持续功率/转速 (kW(Ps)/r/min) Continuous power/speed	720(980)/1500	600(815)/1500	600(815)/1000
超负荷功率/转速 (kW(Ps)/r/min) One-hour power/speed	792(1075)/1500	660(900)/1500	660(900)/1000
最低燃油消耗率 (g/kW·h) Min. specific fuel consumption	≤195		
机油消耗率 (g/kW·h) Specific oil consumption	≤0.5		
机油容量 (L) Engine oil capacity	95		
最低工作稳定转速 (r/min) Min. steady working speed	/		
曲轴旋转方向 (面向功率输出端) Crankshaft rotation direction (see from power output end)	逆时针 Anticlockwise		
启动方式 Starting way	电启动 (气启动可选) Electrical (Gas start is optional)		
净质量 (kg) Net weight	3400		
外形尺寸 (长×宽×高) Overall dimensions (LxWxH) (mm)	2181×1125×1892		
适配船用机组 (kW) Adapted for marine gen-set	600	500	500
证书 Certificate	ZC、CCS、EIAPP、国II		

### ► YC6TF外形安装尺寸图 Installation Drawing





# YC6TD/YC6T SERIES MARINE DIESEL ENGINE

## 系列船舶动力(380~800马力)

电控技术 省油环保

ELECTRONIC CONTROL TECHNOLOGY FUEL SAVING AND ENVIRONMENTAL PROTECTION

### 机型介绍 Model is Introduced

YC6TD/YC6T是玉柴融合德国、美国、日本先进的柴油机技术，采用高效节能的电控策略，并针对船舶使用要求专门开发的新一代船舶动力，是各类船舶理想的配套动力。250~400kW船用发电机组的理想动力。

YC6TD/YC6T Integrated the advanced technology of Germany, America and Japan. YC6T is the new generation engine especially developed to meet the requirements of vessels. It is ideal for powering various kinds of vessels. It is used as the ideal power for 250-400kw auxiliary genset.



### 主要机型特点 Features

#### 可靠耐用

- 在产品开发上，玉柴YC6TD/YC6T遵循苛刻的机械开发验证规范，累计20000小时耐久性台架试验。
- 机体采用合金铸铁，强度更高。
- 整体锻钢曲轴，提高了疲劳强度及耐磨性。
- 气缸盖采用一缸一盖结构，方便维修；缸盖螺栓均布，受力均匀。
- 配气系统，高位凸轮轴布置，短而粗推杆，滚轮挺柱，高可靠性。
- 从铸造到装配的先进设备和质量控制手段，保证品质更高。

#### 省油省钱

- 四气门技术，大幅度增加进、排气流通面积，喷油器中置，雾化更均匀，燃烧更充分。
- P泵、P嘴，喷射压力更高，工作能力更强，喷油器与燃烧室匹配更合理，混合均匀，燃油雾化质量最佳。
- 增压中冷+电控组合泵技术，精确的电控手段让每一滴燃油的能量都能极致释放。
- 霍尔塞特/联信增压器，经济工况宽。
- 大幅度降低机械损失15%以上，泵气损失更小，消耗减少。
- 与同功率发动机相比，燃油消耗降低10~15%。

#### 安全舒适

- 四气门技术，有效降低发动机进、排气噪声。
- 后置齿轮室及先进的点线啮合齿轮技术，传动系机械噪声更小。

#### Reliability and durability

- The development of product is carried out with rigorous mechanical engineering development accreditation standards, durability bench test accumulated for 20000 hours.
- Engine block manufactured from alloy cast iron offers higher strength.
- Forged steel crankshaft improves fatigue strength and resistance to wear.
- A cylinder head is respectively bolted to the top of each bank of cylinder for ease of maintenance and repair; Cylinder head bolts are evenly spaced and positioned, which is better able to withstand forces evenly.
- Valve timing mechanism, camshaft is placed in the upper part of cylinder block, short and thick push rod and roller tappet, so as to achieve higher reliability.
- Advanced equipment and quality control method for casting to assembly, ensure higher quality.

#### Fuel economy

- Four-valve technology increases the flow areas of air by a wide margin, so as to realize better atomization condition and more intense combustion.
- P pump and P nozzle are adopted to achieve higher injection pressure and more powerful working capacity, injector is matched with combustion chamber more rationally, contributing to better mixture and atomization condition.
- Turbocharged and intercooled & electronic combined pump technology, precise electronic control ensure full combustion.
- Holst turbocharger/lian xin turbocharger, wider fuel economy area.
- Mechanical losses are reduced dramatically more than 15%, and less air pumping losses and consumption.
- Fuel consumption is reduced by 10-15% compared with engines of same power.

#### Safety and comfortability

- Four-valve technology reduces effectively intake and exhaust noises.
- Rear positioned gear chamber and advanced point-line gear-meshing technology are adopted to lower mechanical noise of transmission system in further.

### YC6TD主要技术参数 Technical Data

型号 Model	YC6TD800L-C20	YC6TD760L-C20	YC6TD650L-C20	YC6TD600L-C20
型式 Type	立式、直列、直喷、水冷、四冲程 Vertical, in-line, water-cooled, four-stroke			
进气方式 Intake way	增压中冷 Turbo-charged & inter-cooled			
气缸数-缸径×行程 (mm) No. of cylinders - Bore × Stroke	6-152×180			
活塞排量 Displacement (L)	19.59			
压缩比 Compression ratio	14:1			
持续功率/转速 (kW(Ps)/r/min) Continuous power/speed	588(800)/1800	559(760)/1800	478(650)/1800	441(600)/1500
超负荷功率/转速 (kW(Ps)/r/min) One-hour power/speed	646.8(880)/1858	614.9(835)/1858	525.8(715)/1858	485.1(660)/1548
最低燃油消耗率 (g/kW·h) Min. specific fuel consumption	≤195			
机油消耗率 (g/kW·h) Specific oil consumption	≤0.5			
机油容量 (L) Engine oil capacity	64			
最低工作稳定转速 (r/min) Min. steady working speed	≤810			≤675
曲轴旋转方向 (面向功率输出端) Crankshaft rotation direction (see from power output end)	逆时针 Anticlockwise			
起动方式 Starting way	电起动 (气起动可选) Electrical (Gas start is optional)			
净质量 (kg) Net weight	2200			
外形尺寸 (长×宽×高) (mm) Overall dimensions (LxWxH)	1986x1319x1696			
适配减速齿轮箱 Matched reduction gearbox	400等etc			
证书 Certificate	ZC、CCS、EIAPP、国II			

### ▶ YC6TD主要技术参数 Technical Data

型号 Model	YC6TD655L-C20	YC6TD600L-C20
型式 Type	立式、直列、直喷、水冷、四冲程 Vertical, in-line, water-cooled, four-stroke	
进气方式 Intake way	增压中冷 Turbo-charged & inter-cooled	
气缸数-缸径×行程 No. of cylinders - Bore × Stroke (mm)	6-152×180	
活塞排量 Displacement (L)	19.59	
压缩比 Compression ratio	14:1	
持续功率/转速 Continuous power/speed (kW(Ps)/r/min)	480(655)/1500	441(600)/1500
超负荷功率/转速 One-hour power/speed (kW(Ps)/r/min)	528(720)/1500	485.1(660)/1500
最低燃油消耗率 Min. specific fuel consumption (g/kW·h)	≤195	
机油消耗率 Specific oil consumption (g/kW·h)	≤0.5	
机油容量 Engine oil capacity (L)	64	
最低工作稳定转速 Min. steady working speed (r/min)	/	
曲轴旋转方向(面向功率输出端) Crankshaft rotation direction (see from power output end)	逆时针 Anticlockwise	
起动方式 Starting way	电起动(气起动可选) Electrical (Gas start is optional)	
净质量 Net weight (kg)	2200	
外形尺寸(长×宽×高) Overall dimensions (LxWxH) (mm)	1967x1290x1696	
适配船用机组 Adapted for marine gen-set (kW)	400	350
证书 Certificate	ZC、CCS、EIAPP、国II	

### ▶ YC6T主要技术参数 Technical Data

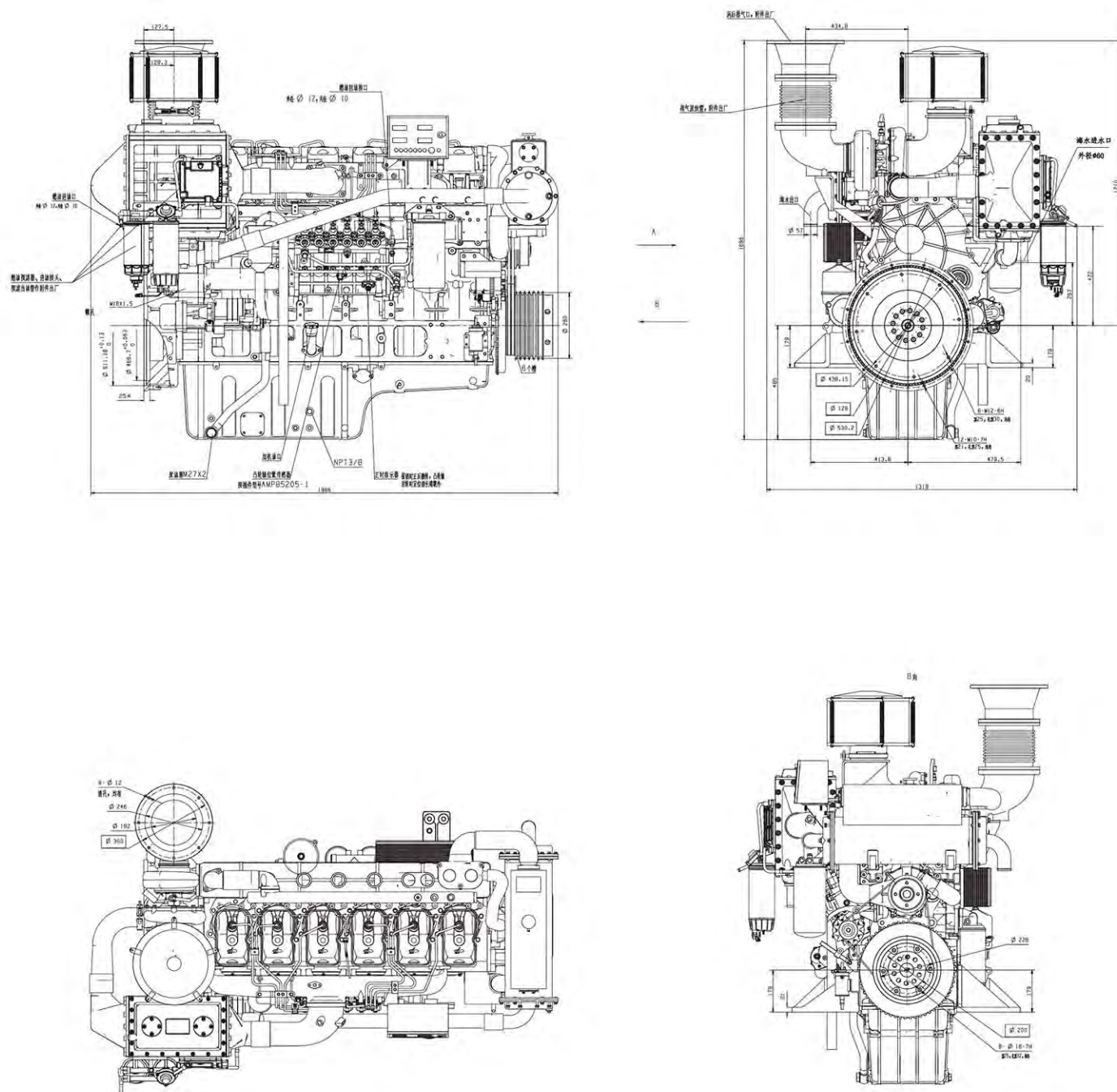
型号 Model	YC6T600L-C22	YC6T490L-C29	YC6T450L-C29
型式 Type	立式、直列、直喷、水冷、四冲程 Vertical, in-line, water-cooled, four-stroke		
进气方式 Intake way	增压中冷 Turbo-charged & inter-cooled		
气缸数-缸径×行程 No. of cylinders - Bore × Stroke (mm)	6-145×165		
活塞排量 Displacement (L)	16.35		
压缩比 Compression ratio	15.5:1		
持续功率/转速 Continuous power/speed (kW(Ps)/r/min)	441(600)/1500	360(490)/1500	330(450)/1500
超负荷功率/转速 One-hour power/speed (kW(Ps)/r/min)	485.1(660)/1500	396(540)/1500	363(495)/1500
最低燃油消耗率 Min. specific fuel consumption (g/kW·h)	≤195		
机油消耗率 Specific oil consumption (g/kW·h)	≤0.5		
机油容量 Engine oil capacity (L)	52		
最低工作稳定转速 Min. steady working speed (r/min)	/		
曲轴旋转方向(面向功率输出端) Crankshaft rotation direction (see from power output end)	逆时针 Anticlockwise		
起动方式 Starting way	电起动(气起动可选) Electrical (Gas start is optional)		
净质量 Net weight (kg)	1980		
外形尺寸(长×宽×高) Overall dimensions (LxWxH) (mm)	1971×1124×1624		
适配船用机组 Adapted for marine gen-set (kW)	350	300	280
证书 Certificate	ZC、CCS、EIAPP、国I		

### ▶ YC6T主要技术参数 Technical Data

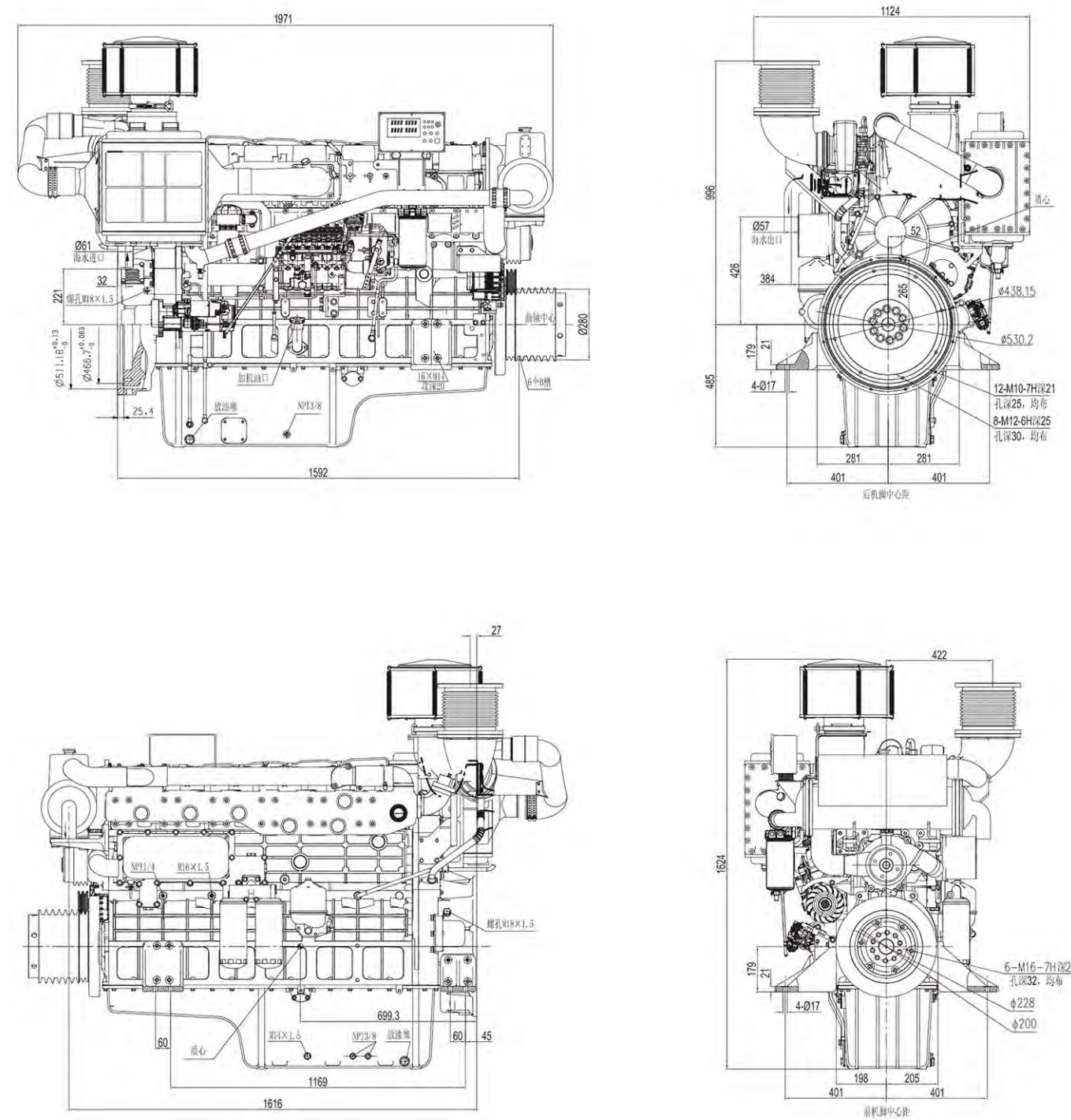
型号 Model	YC6T650L-C28	YC6T540L-C28	YC6T480L-C28	YC6T450L-C28	YC6T380L-C28
型式 Type	立式、直列、直喷、水冷、四冲程 Vertical, in-line, water-cooled, four-stroke				
进气方式 Intake way	增压中冷 Turbo-charged & inter-cooled				
气缸数-缸径×行程 No. of cylinders - Bore × Stroke (mm)	6-145×165				
活塞排量 Displacement (L)	16.35				
压缩比 Compression ratio	15.5:1				
持续功率/转速 Continuous power/speed (kW(Ps)/r/min)	478(650)/1800	396(540)/1800	352(480)/1800	330(450)/1500	330(450)/1500
超负荷功率/转速 One-hour power/speed (kW(Ps)/r/min)	526(715)/1858	435.6(595)/1858	387.2(530)/1858	363(495)/1548	363(495)/1548
最低燃油消耗率 Min. specific fuel consumption (g/kW·h)	≤205			≤195	
机油消耗率 Specific oil consumption (g/kW·h)	≤0.5				
机油容量 Engine oil capacity (L)	52				
最低工作稳定转速 Min. steady working speed (r/min)	≤810			/	
曲轴旋转方向(面向功率输出端) Crankshaft rotation direction (see from power output end)	逆时针 Anticlockwise				
起动方式 Starting way	电起动(气起动可选) Electrical (Gas start is optional)				
净质量 Net weight (kg)	1980				
外形尺寸(长×宽×高) Overall dimensions (LxWxH) (mm)	1971×1124×1624				
适配减速齿轮箱 Matched reduction gearbox	300、J300、D300等etc				
证书 Certificate	ZC、CCS、EIAPP、国I				



▶ YC6TD外形安装尺寸图 Installation Drawing



▶ YC6T外形安装尺寸图 Installation Drawing



# YC6K SERIES MARINE DIESEL ENGINE

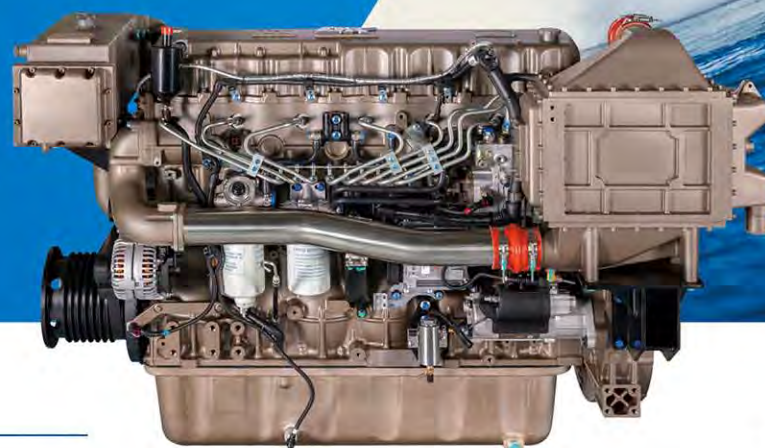
## 系列船舶动力(420~560马力)

电控技术 省油环保  
ELECTRONIC CONTROL TECHNOLOGY FUEL  
SAVING AND ENVIRONMENTAL PROTECTION

### 机型介绍 Model is Introduced

YC6K系列船用柴油机是玉柴融合德国、美国、日本先进柴油机技术，自主开发并通过CCS认证的全电控船用柴油机。采用BOSCH高压共轨燃油喷射系统，通过多次喷射、高效逆向冷却以及专利的集成水套式排气歧管等先进技术的应用，使发动机燃油经济性国内领先，同时具有噪声品质优良，加速快、振动小的优点。

YC6K series marine diesel engine is completely electronic control marine diesel engine developed by Y&C independently and passed the CCS certification. Use BOSCH high pressure common rail fuel injection system, by Many times injection, highly effective reverse cooling and patented integrated water-jacket type exhaust manifold advanced technology, make the fuel economy one-up in China, have low NVH, fast accelerates and slight vibration.



### 主要机型特点 Features

- 轻量化、结构紧凑：重量和尺寸规格对标国际知名品牌，互换性高。
- Light weight, compact structure: Weight and dimensions benchmarking the international famous brand, high interchangeability.
- 高可靠性：发动机大修时间可达30000小时。
- High reliability: the engine overhaul life can reach 30000 hours.
- 节能：燃料消耗较传统发动机节能10%以上。
- Energy-saving: Compared with traditional engine, the fuel consumption and energy saving above 10%.
- 环保：全电控技术满足IMO II或更高排放标准。
- Environmental protection: Completely electronic control technology can meet IMO II or higher emission standard.
- 高安全性：电控自诊断保护功能、故障运行保护功能。
- High security: Electric control self-diagnosis protection function, fault protection function operation.
- 科技领先、设计超前：纯电控、可定制。
- Leading technology, advanced design: Pure electrical control, Customizable.
- 集合最优：博世、霍尼韦尔、马勒、辉门、盖茨等世界顶级内燃机零部件供应商。
- Set the optimal: Bosch, Honeywell, Mahler, Federal-Mogul, Gates and other parts of the world's top internal combustion engine supplier.

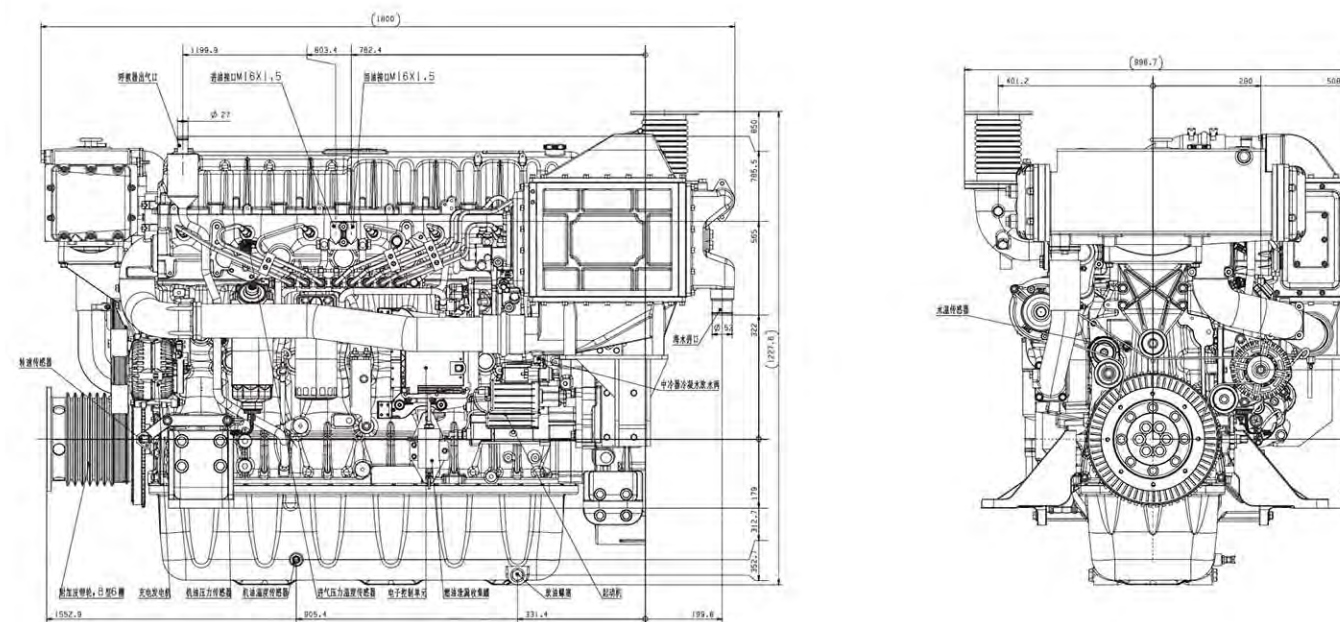
### YC6K主要技术参数 Technical Data

型号 Model	YC6K560L-C20	YC6K520L-C20	YC6K490L-C20	YC6K450L-C20
型式 Type	立式、直列、水冷、四冲程 Vertical, in-line, water-cooled, four-stroke			
进气方式 Intake way	增压中冷 Turbo-charged & inter-cooled			
气缸数-缸径×行程 (mm) No. of cylinders - Bore × Stroke	6-129 × 165			
活塞排量 Displacement (L)	12.94			
压缩比 Compression ratio	16.5:1			
持续功率/转速 (kW(Ps)/r/min) Continuous power/speed	412(560)/1800	382(520)/1800	360(490)/1500	331(450)/1500
超负荷功率/转速 (kW(Ps)/r/min) One-hour power/speed	453(615)/1858	420(570)/1858	396(540)/1548	364(495)/1548
最低燃油消耗率 (g/kW·h) Min. specific fuel consumption	≤186			
机油消耗率 (g/kW·h) Specific oil consumption	≤0.1			
机油容量 (L) Engine oil capacity	35			
最低工作稳定转速 (r/min) Min. steady working speed	≤810		≤675	
曲轴旋转方向 (面向功率输出端) Crankshaft rotation direction (see from power output end)	逆时针 Anticlockwise			
启动方式 Starting way	电启动 Electrical			
净质量 (kg) Net weight	1300			
外形尺寸 (长×宽×高) (mm) Overall dimensions (LxWxH)	1800 × 996 × 1227			
适配减速齿轮箱 Matched reduction gearbox	300、J300、D300等etc			
证书 Certificate	CCS、EIAPP、国II			

### ▶ YC6K主要技术参数 Technical Data

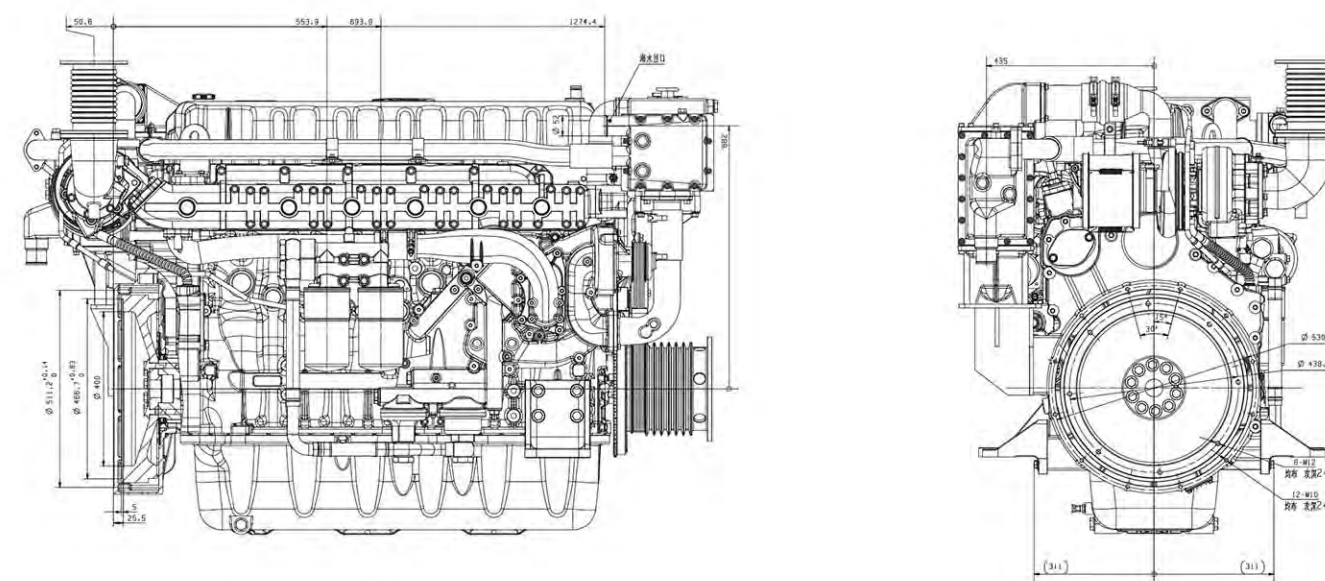
型号 Model	YC6K560L-C20	YC6K450L-C20
型式 Type	立式、直列、直喷、水冷、四冲程 Vertical, in-line, water-cooled, four-stroke	
进气方式 Intake way	增压中冷 Turbo-charged & inter-cooled	
气缸数-缸径×行程 (mm) No. of cylinders - Bore × Stroke	6-129 × 165	
活塞排量 Displacement (L)	12.94	
压缩比 Compression ratio	16.5:1	
持续功率/转速 (kW(Ps)/r/min) Continuous power/speed	412(560)/1800	331(450)/1500
超负荷功率/转速 (kW(Ps)/r/min) One-hour power/speed	453(615)/1800	364(495)/1500
最低燃油消耗率 (g/kW·h) Min. specific fuel consumption	≤186	
机油消耗率 (g/kW·h) Specific oil consumption	≤0.1	
机油容量 (L) Engine oil capacity	35	
最低工作稳定转速 (r/min) Min. steady working speed		
曲轴旋转方向 (面向功率输出端) Crankshaft rotation direction (see from power output end)	逆时针 Anticlockwise	
启动方式 Starting way	电启动 Electrical	
净质量 (kg) Net weight	1300	
外形尺寸 (长×宽×高) (mm) Overall dimensions (LxWxH)	1800 × 996 × 1227	
适配船用机组 (kW) Adapted for marine gen-set	350	250, 280
证书 Certificate	CCS、EIAPP、国II	

### ▶ YC6K外形安装尺寸图 Installation Drawing



### ▶ YC6K主要技术参数 Technical Data

型号 Model	YC6K460L-C20	YC6K420L-C20
型式 Type	立式、直列、直喷、水冷、四冲程 Vertical, in-line, water-cooled, four-stroke	
进气方式 Intake way	增压中冷 Turbo-charged & inter-cooled	
气缸数-缸径×行程 (mm) No. of cylinders - Bore × Stroke	6-129 × 155	
活塞排量 Displacement (L)	12.16	
压缩比 Compression ratio	16.5:1	
持续功率/转速 (kW(Ps)/r/min) Continuous power/speed	338(460)/1800	309(420)/1500
超负荷功率/转速 (kW(Ps)/r/min) One-hour power/speed	372(505)/1858	340(460)/1548
最低燃油消耗率 (g/kW·h) Min. specific fuel consumption	≤186	
机油消耗率 (g/kW·h) Specific oil consumption	≤0.1	
机油容量 (L) Engine oil capacity	35	
最低工作稳定转速 (r/min) Min. steady working speed	≤810	≤675
曲轴旋转方向 (面向功率输出端) Crankshaft rotation direction (see from power output end)	逆时针 Anticlockwise	
启动方式 Starting way	电启动 Electrical	
净质量 (kg) Net weight	1260	
外形尺寸 (长×宽×高) (mm) Overall dimensions (LxWxH)	1800 × 996 × 1227	
适配减速齿轮箱 Matched reduction gearbox	300、J300、D300等etc	
证书 Certificate	CCS、EIAPP、国II	



# YC6MJ/YC6MK

SERIES MARINE DIESEL ENGINE  
系列船舶动力(220~450马力)

电控技术 省油环保

ELECTRONIC CONTROL TECHNOLOGY FUEL  
SAVING AND ENVIRONMENTAL PROTECTION

## 机型介绍 Model is Introduced

YC6MJ/YC6MK是玉柴融合德国、美国和日本先进柴油机技术，并针对船舶使用要求专门开发的新一代船舶动力，是各类船舶理想的配套动力。适配150~250kW船用发电机组。

YC6MJ/YC6MK Integrated the advanced technology of Germany, America and Japan. YC6MJ/YC6MK is the new generation engine especially developed to meet the requirements of vessels. It is ideal for powering various kinds of vessels. It is used as the ideal power for 150-250kw auxiliary genset.



## 主要机型特点 Features

### 超强通用性

- YC6MJ在安装尺寸上与YC6MK系列船机可互相替换。

### 可靠耐用

- 遵循苛刻的机械开发验证规范，所有产品的研发均经过深度冷热冲击试验，高温高寒试验，曲轴疲劳试验等十余项验证；外特性最大扭矩达2150N.m。
- 欧洲技术、运用深度和广义机械开发程序进行可靠性开发，整机大修期大于12000小时。

### 动力强劲，经济省油

- 采用玉柴先进的自主电控技术，喷油量控制灵活，喷油压力高，燃烧控制好，运行平稳，燃烧噪声低，动力性更好，低速大扭矩，扭矩储备大，响应迅速，提速快。
- 四气门技术、大幅度增加进、排气流通面积，喷油器中置，雾化更均匀，燃烧更充分。
- 增加气门油封，采用玉柴专有活塞环密封技术和气门油封技术，润滑油消耗比国内同档次功率产品低10%以上。

### 安全舒适

- 配备数字式智能化机旁及远程监控仪表，同时采用整体式铸铁淡水冷却水套排气管，使船舱温度更低、使用更安全。
- 采用整体式曲轴箱，后置齿轮室及点线啮合专利技术，比国内同类产品噪声更低、更舒适。
- 满足CCS船规安全要求设计，高压油管、共轨管双层油管设计。

### High applicability

- Installation size is interchangeable between YC6MJ and YC6MK.

### Reliability and durability

- The development of product is carried out with rigorous mechanical engineering development accreditation standards; all products are passed the accreditations such as cold & impact test in depth, high temperature & severe cold condition test and crankshaft fatigue test etc.; External characteristic maximum torque is 2150N.m.
- The development is strictly by European famous companies developing program. Based on the European engine development requirements, the engine overhaul period is more than 12000 hours.

### Fuel economy

- With Yuchai's advanced independent electronic control technology, flexible fuel injection control, high fuel injection pressure, good combustion control, stable operation, low combustion noise, better power performance, low speed and large torque, large torque reserve, rapid response and fast speed increase.
- Four-valve technology increases the flow areas of air by a wide margin, so as to realize better atomization condition and more intense combustion.
- Use the valve seal, With Yuchai proprietary piston ring seal technology and valve seal technology, lubricating oil consumption is lower than domestic power transmission products with more than 10%.

### Safety and comfortability

- Equipped with digital intelligent local panel and remote monitoring instrument and integral cast iron freshwater cooling water jacket exhaust pipe are adopted to lower the temperature of cabin and ensure safe operation.
- Equipped with integral gearbox, rear positioned gear chamber and advanced point-line gear-meshing technology are adopted to lower mechanical noise of transmission system in further.
- It is designed to meet the safety requirements of CCS regulations, with double-layer fuel pipes and common rail pipe.

## YC6MJ主要技术参数 Technical Data

型号 Model	YC6MJ500L-C20	YC6MJ450L-C23	YC6MJ410L-C23	YC6MJ365L-C23
型式 Type	立式、直列、水冷、四冲程 Vertical, in-line, water-cooled, four-stroke			
进气方式 Intake way	增压中冷 Turbo-charged & inter-cooled			
气缸数-缸径×行程 No. of cylinders - Bore × Stroke (mm)	6-131×145			
活塞排量 Displacement (L)	11.72			
压缩比 Compression ratio	16.8:1			
持续功率/转速 Continuous power/speed (kW(Ps)/r/min)	368(500)/2100	330(450)/2100	300(410)/1800	267(365)/1500
超负荷功率/转速 One-hour power/speed (kW(Ps)/r/min)	404.8(550)/2168	363(495)/2168	330(450)/1858	293.7(400)/1548
最低燃油消耗率 Min. specific fuel consumption (g/kW·h)	≤188			
机油消耗率 Specific oil consumption (g/kW·h)	≤0.5			
机油容量 Engine oil capacity (L)	35			
最低工作稳定转速 Min. steady working speed (r/min)	≤945		≤810	≤675
曲轴旋转方向 (面向功率输出端) Crankshaft rotation direction (see from power output end)	逆时针 Anticlockwise			
起动方式 Starting way	电起动 Electrical			
净质量 Net weight (kg)	1200			
外形尺寸 (长×宽×高) Overall dimensions (LxWxH) (mm)	1536x1021x1306			
适配减速齿轮箱 Matched reduction gearbox	300、J300、D300等etc			
证书 Certificate	ZC、CCS、EIAPP、国II			

### ▶ YC6MJ主要技术参数 Technical Data

型号 Model	YC6MJ410L-C24
型式 Type	立式、直列、水冷、四冲程 Vertical, in-line, water-cooled, four-stroke
进气方式 Intake way	增压中冷 Turbo-charged & inter-cooled
气缸数-缸径×行程 (mm) No. of cylinders - Bore × Stroke	6-131 × 145
活塞排量 Displacement (L)	11.72
压缩比 Compression ratio	16.8:1
持续功率/转速 (kW(Ps)/r/min) Continuous power/speed	300(410)/1500
超负荷功率/转速 (kW(Ps)/r/min) One-hour power/speed	330(450)/1500
最低燃油消耗率 (g/kW·h) Min. specific fuel consumption	≤205
机油消耗率 (g/kW·h) Specific oil consumption	≤0.5
机油容量 (L) Engine oil capacity	35
最低工作稳定转速 (r/min) Min. steady working speed	≤1500
曲轴旋转方向 (面向功率输出端) Crankshaft rotation direction (see from power output end)	逆时针 Anticlockwise
起动方式 Starting way	电起动 Electrical
净质量 (kg) Net weight	1200
外形尺寸 (长×宽×高) (mm) Overall dimensions (LxWxH)	1536x1021x1306
适配船用机组 (kW) Adapted for marine gen-set	250
证书 Certificate	ZC、CCS、EIAPP、国II

### ▶ YC6MK主要技术参数 Technical Data

型号 Model	YC6MK300L-C24	YC6MK280L-C23	YC6MK260L-C23
型式 Type	立式、直列、水冷、四冲程 Vertical, in-line, water-cooled, four-stroke		
进气方式 Intake way	增压中冷 Turbo-charged & inter-cooled		增压 Turbo-charged
气缸数-缸径×行程 (mm) No. of cylinders - Bore × Stroke	6-123 × 145		
活塞排量 Displacement (L)	10.338		
压缩比 Compression ratio	17.5:1		
持续功率/转速 (kW(Ps)/r/min) Continuous power/speed	219(300)/1500	205(280)/1500	192(260)/1500
超负荷功率/转速 (kW(Ps)/r/min) One-hour power/speed	240.9(330)/1548	225.5(305)/1548	211.2(290)/1548
最低燃油消耗率 (g/kW·h) Min. specific fuel consumption	≤188		
机油消耗率 (g/kW·h) Specific oil consumption	≤0.5		
机油容量 (L) Engine oil capacity	35		
最低工作稳定转速 (r/min) Min. steady working speed	≤675		
曲轴旋转方向 (面向功率输出端) Crankshaft rotation direction (see from power output end)	逆时针 Anticlockwise		
起动方式 Starting way	电起动 Electrical		
净质量 (kg) Net weight	1200		
外形尺寸 (长×宽×高) (mm) Overall dimensions (LxWxH)	1536x1021x1306		
适配减速齿轮箱 Matched reduction gearbox	MB242、MB270、300等		
证书 Certificate	ZC、CCS、EIAPP、国II		

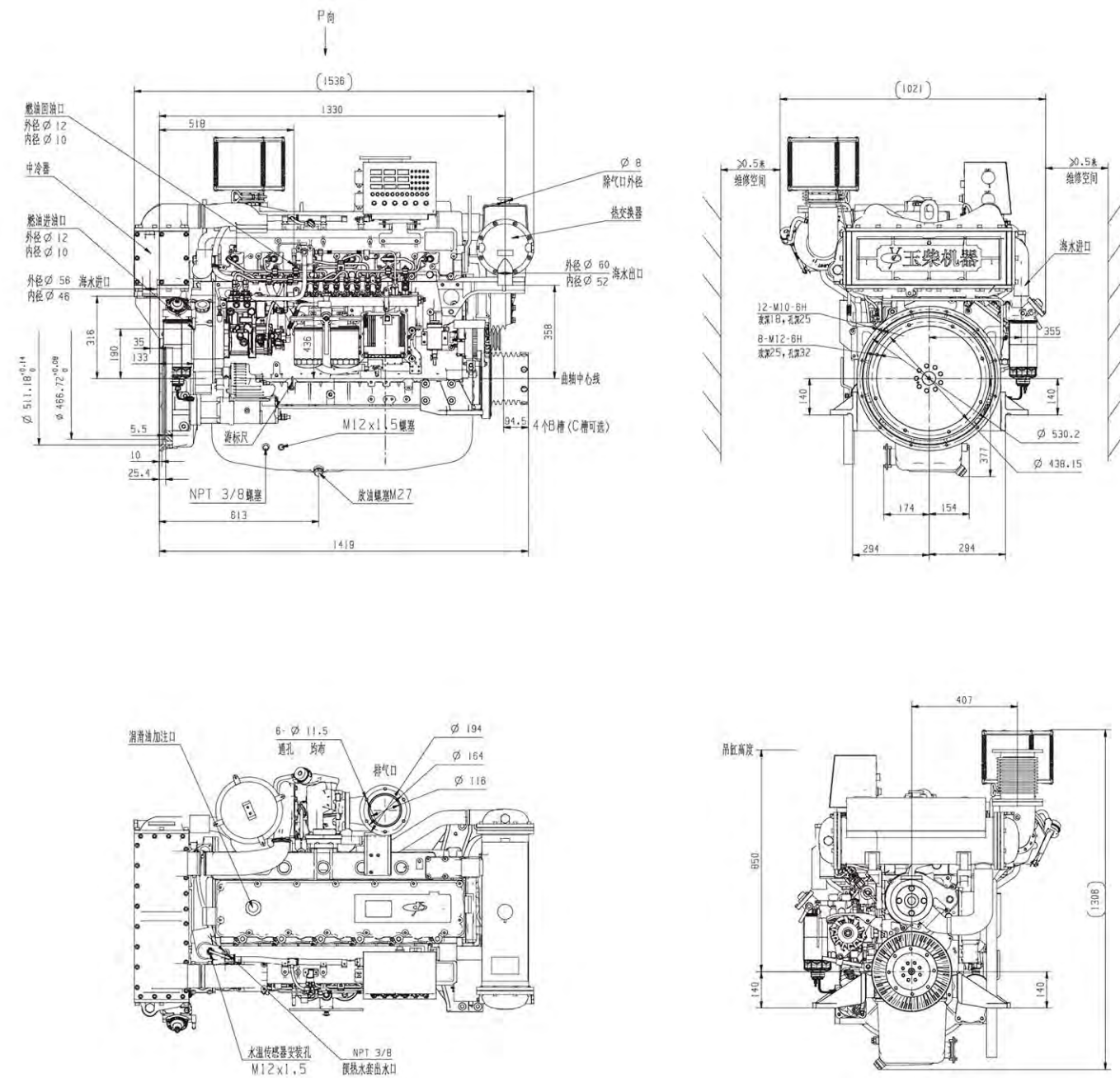
### ▶ YC6MK主要技术参数 Technical Data

型号 Model	YC6MK410L-C20	YC6MK320L-C23
型式 Type	立式、直列、水冷、四冲程 Vertical, in-line, water-cooled, four-stroke	
进气方式 Intake way	增压中冷 Turbo-charged & inter-cooled	
气缸数-缸径×行程 (mm) No. of cylinders - Bore × Stroke	6-123 × 145	
活塞排量 Displacement (L)	10.338	
压缩比 Compression ratio	17.5:1	
持续功率/转速 (kW(Ps)/r/min) Continuous power/speed	300(410)/2100	235(320)/1800
超负荷功率/转速 (kW(Ps)/r/min) One-hour power/speed	330(450)/2168	258.5(350)/1858
最低燃油消耗率 (g/kW·h) Min. specific fuel consumption	≤188	
机油消耗率 (g/kW·h) Specific oil consumption	≤0.5	
机油容量 (L) Engine oil capacity	35	
最低工作稳定转速 (r/min) Min. steady working speed	≤945	≤810
曲轴旋转方向 (面向功率输出端) Crankshaft rotation direction (see from power output end)	逆时针 Anticlockwise	
起动方式 Starting way	电起动 Electrical	
净质量 (kg) Net weight	1200	
外形尺寸 (长×宽×高) (mm) Overall dimensions (LxWxH)	1536x1021x1306	
适配减速齿轮箱 Matched reduction gearbox	MB242、MB270、300等etc	
证书 Certificate	ZC、CCS、EIAPP、国II	

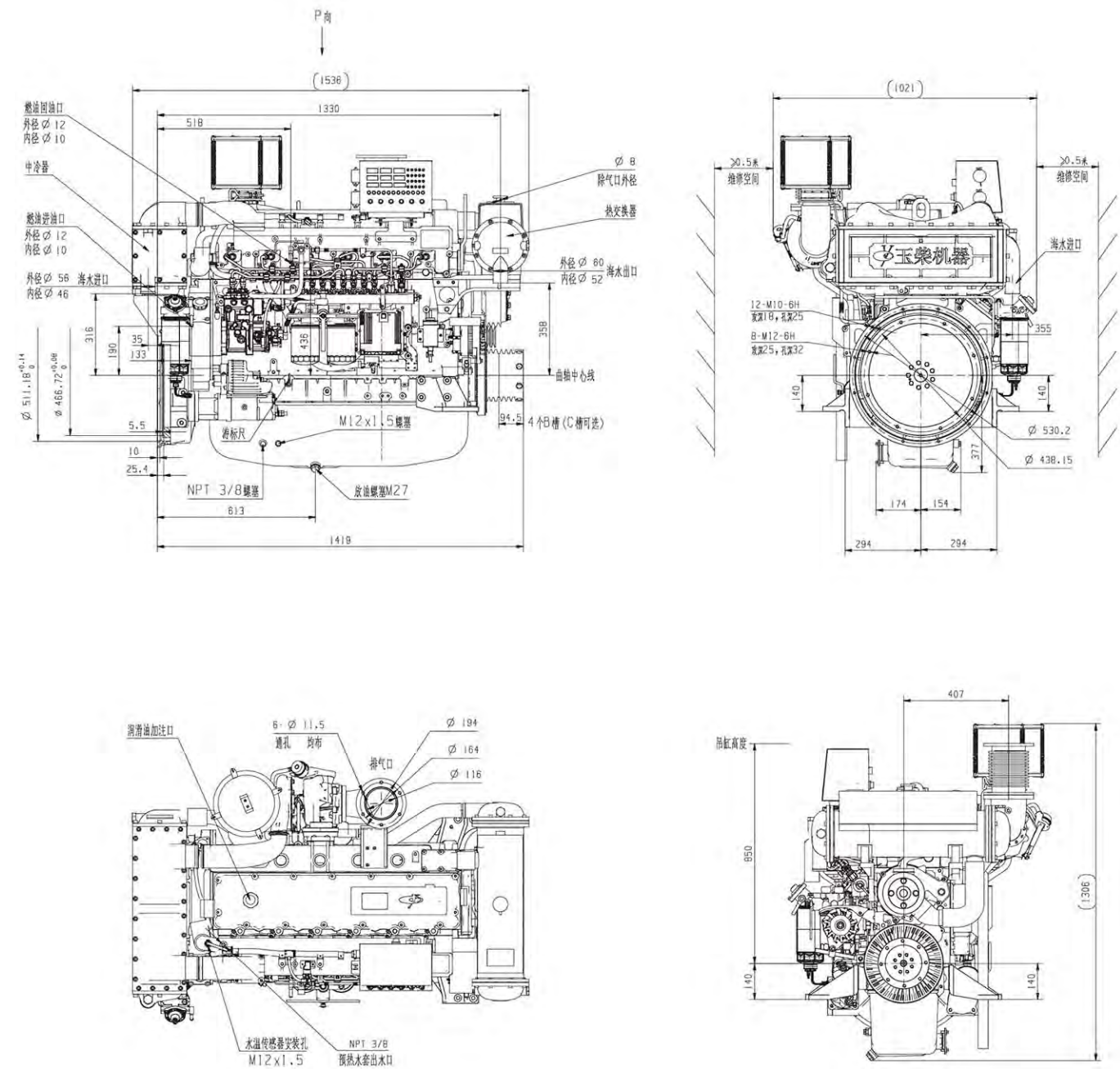
### ▶ YC6MK主要技术参数 Technical Data

型号 Model	YC6MK330L-C22	YC6MK300L-C25
型式 Type	立式、直列、水冷、四冲程 Vertical, in-line, water-cooled, four-stroke	
进气方式 Intake way	增压中冷 Turbo-charged & inter-cooled	
气缸数-缸径×行程 (mm) No. of cylinders - Bore × Stroke	6-123 × 145	
活塞排量 Displacement (L)	10.338	
压缩比 Compression ratio	17.5:1	
持续功率/转速 (kW(Ps)/r/min) Continuous power/speed	240(330)/1500	219(300)/1500
超负荷功率/转速 (kW(Ps)/r/min) One-hour power/speed	264(365)/1500	240.9(330)/1500
最低燃油消耗率 (g/kW·h) Min. specific fuel consumption	≤189	
机油消耗率 (g/kW·h) Specific oil consumption	≤0.5	
机油容量 (L) Engine oil capacity	28	
最低工作稳定转速 (r/min) Min. steady working speed	/	
曲轴旋转方向 (面向功率输出端) Crankshaft rotation direction (see from power output end)	逆时针 Anticlockwise	
起动方式 Starting way	电起动 Electrical	
净质量 (kg) Net weight	1200	
外形尺寸 (长×宽×高) (mm) Overall dimensions (LxWxH)	1536x1021x1306	
适配船用机组 (kW) Adapted for marine gen-set	200	180
证书 Certificate	ZC、CCS、EIAPP、国II	

▶ YC6MJ外形安装尺寸图 Installation Drawing



▶ YC6MK外形安装尺寸图 Installation Drawing





# YCA08 SERIES MARINE DIESEL ENGINE

## 系列船舶动力(200~320马力)

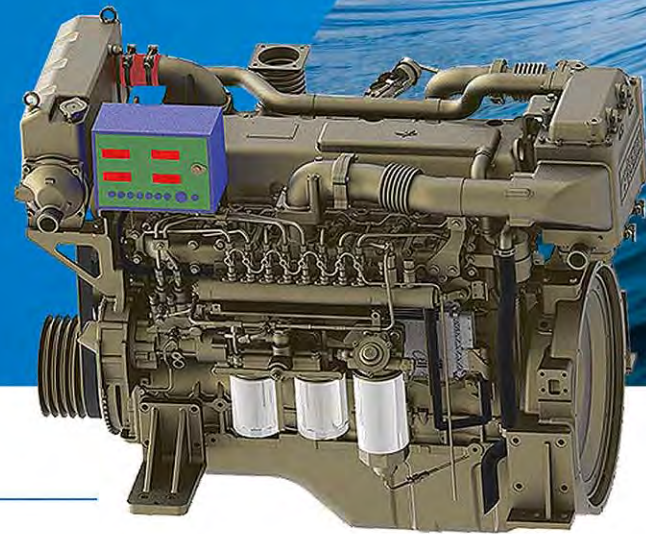
电控技术 省油环保

ELECTRONIC CONTROL TECHNOLOGY FUEL SAVING AND ENVIRONMENTAL PROTECTION

### 机型介绍 Model is Introduced

YCA08是玉柴融合德国、美国和日本先进柴油机技术，并针对船舶使用要求专门开发的新一代船舶动力，是各类船舶理想的配套动力，适配90~150kW船用发电机组。

YCA08 is a new generation of marine engine specially developed by Yuchai which integrates advanced diesel engine technologies from Germany, the United States and Japan to meet the requirements of ships. It is an ideal power supply for various ships and is suitable for 90~150kW marine generator sets.



### 主要机型特点 Features

- 振动低，噪声小，整船驾驶更舒适，怠速噪声低于75.1分贝。
- 机体、气缸盖采用合金铸铁，强化程度高，采用整体锻钢曲轴，滑动轴承，体积小重量轻，可靠性高；大修期大于15000小时。
- 经济又高效：采用四气门技术，玉柴专利燃烧室技术，优化燃烧，对喷油量和喷油时间进行精确控制，燃油充分雾化，最低油耗190g/kwh。
- 是小型船舶及小型渔船主机和90~150kW船用发电机组的理想动力。
- Low vibration, low noise, more comfortable driving of the whole ship, idle noise is less than 75.1 decibels.
- The airframe and cylinder head are made of alloy cast iron, with high degree of reinforcement, the use of integral forged steel crankshaft, plain bearings, small size, light weight, high reliability; overhaul period is greater than 15,000 hours.
- Cost-effective and efficient: using four-valve technology, Yuchai's patented combustion chamber technology, optimize combustion, precise control of fuel injection volume and injection time, fully atomized fuel, minimum fuel consumption of 190g/kwh.
- It is the ideal power for small ships and small fishing boat main engines and 90~150kW marine generator sets.

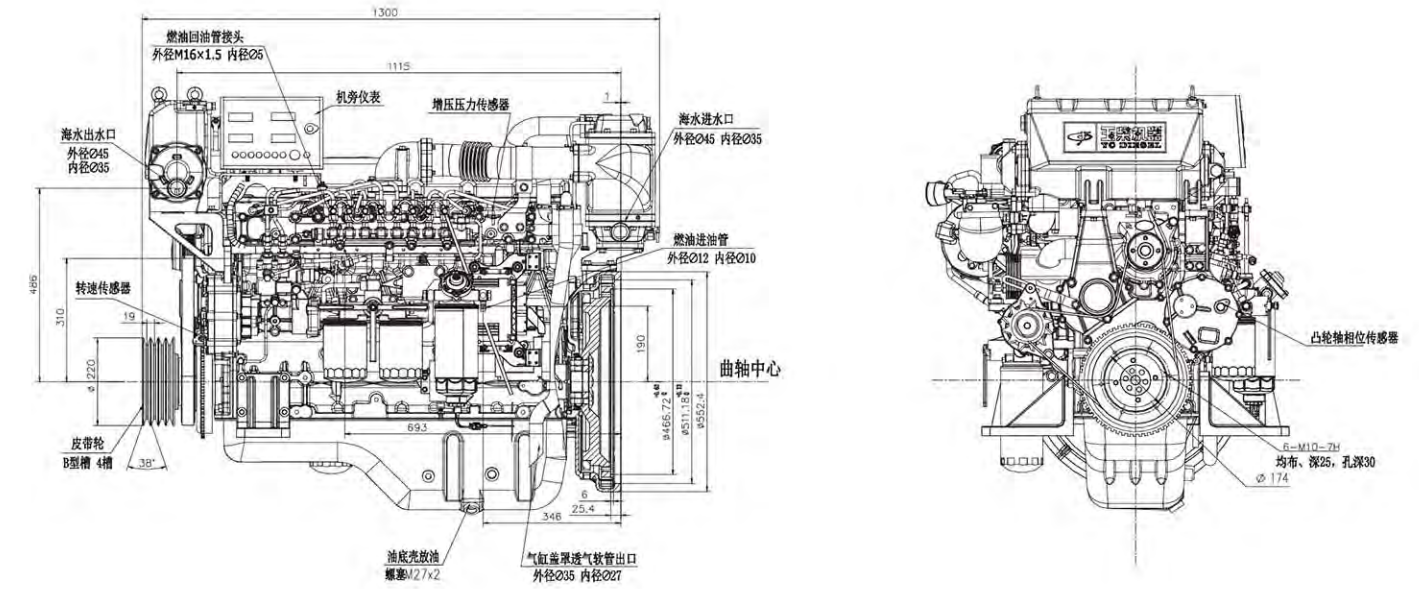
### YCA08主要技术参数 Technical Data

型号 Model	YCA08320L-C20	YCA08300L-C20	YCA08280L-C20
型式 Type	立式、直列、水冷、四冲程 Vertical, in-line, water-cooled, four-stroke		
进气方式 Intake way	增压中冷 Turbo-charged& inter-cooled		
气缸数-缸径×行程 (mm) No. of cylinders - Bore × Stroke	6-110×132		
活塞排量 Displacement (L)	7.525		
压缩比 Compression ratio	17.5:1		
持续功率/转速 (kW(Ps)/r/min) Continuous power/speed	235(320)/2300	219(300)/2000	206(280)/1800
超负荷功率/转速 (kW(Ps)/r/min) One-hour power/speed	258.5(350)/2374	240.9(330)/2064	226.6(310)/1858
最低燃油消耗率 (g/kW·h) Min. specific fuel consumption	≤200		
机油消耗率 (g/kW·h) Specific oil consumption	≤0.3		
机油容量 (L) Engine oil capacity	21		
最低工作稳定转速 (r/min) Min. steady working speed	≤1035	≤900	≤810
曲轴旋转方向 (面向功率输出端) Crankshaft rotation direction (see from power output end)	逆时针 Anticlockwise		
起动方式 Starting way	电起动 Electrical		
净质量 (kg) Net weight	860		
外形尺寸 (长×宽×高) (mm) Overall dimensions (LxWxH)	1300×903×1067		
适配减速齿轮箱 Matched reduction gearbox	120C、HCQ138等etc		
证书 Certificate	ZC、CCS、EIAPP、国II		

### ▶ YCA08主要技术参数 Technical Data

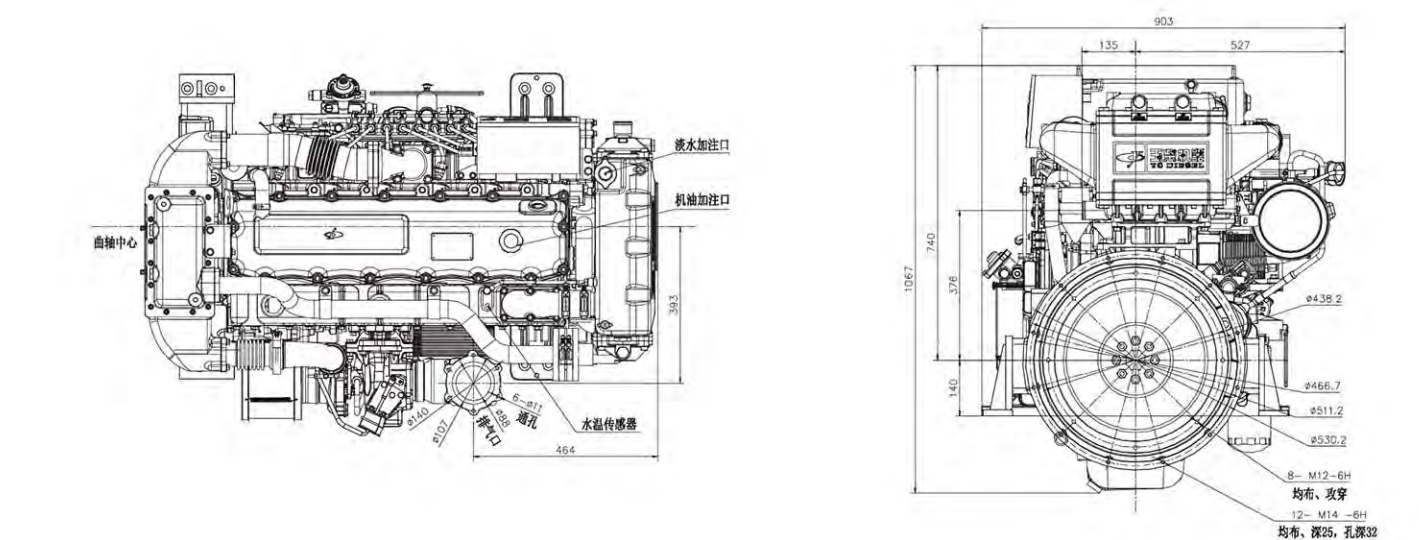
型号 Model	YCA08260L-C23	YCA08240L-C20	YCA08220L-C24
型式 Type	立式、直列、水冷、四冲程 Vertical, in-line, water-cooled, four-stroke		
进气方式 Intake way	增压中冷 Turbo-charged & inter-cooled		
气缸数-缸径×行程 (mm) No. of cylinders - Bore × Stroke	6-110 × 132		
活塞排量 Displacement (L)	7.525		
压缩比 Compression ratio	17.5:1		
持续功率/转速 (kW(Ps)/r/min) Continuous power/speed	191(260)/1800	176(240)/1500	163(220)/1500
超负荷功率/转速 (kW(Ps)/r/min) One-hour power/speed	210.1(285)/1858	193.6(265)/1548	179.3(240)/1548
最低燃油消耗率 (g/kW·h) Min. specific fuel consumption	≤200		
机油消耗率 (g/kW·h) Specific oil consumption	≤0.3		
机油容量 (L) Engine oil capacity	21		
最低工作稳定转速 (r/min) Min. steady working speed	≤810		≤675
曲轴旋转方向 (面向功率输出端) Crankshaft rotation direction (see from power output end)	逆时针 Anticlockwise		
启动方式 Starting way	电启动 Electrical		
净质量 (kg) Net weight	860		
外形尺寸 (长×宽×高) (mm) Overall dimensions (LxWxH)	1300 × 903 × 1067		
适配减速齿轮箱 Matched reduction gearbox	120C、HCQ138等etc		
证书 Certificate	ZC、CCS、EIAPP、国II		

### ▶ YCA08外形安装尺寸图 Installation Drawing



### ▶ YCA08主要技术参数 Technical Data

型号 Model	YCA08240L-C22	YCA08200L-C22
型式 Type	立式、直列、水冷、四冲程 Vertical, in-line, water-cooled, four-stroke	
进气方式 Intake way	增压中冷 Turbo-charged & inter-cooled	
气缸数-缸径×行程 (mm) No. of cylinders - Bore × Stroke	6-110 × 132	
活塞排量 Displacement (L)	7.525	
压缩比 Compression ratio	17.5:1	
持续功率/转速 (kW(Ps)/r/min) Continuous power/speed	176(240)/1500	145(200)/1500
超负荷功率/转速 (kW(Ps)/r/min) One-hour power/speed	193.6(265)/1500	159.5(215)/1500
最低燃油消耗率 (g/kW·h) Min. specific fuel consumption	≤200	
机油消耗率 (g/kW·h) Specific oil consumption	≤0.3	
机油容量 (L) Engine oil capacity	21	
最低工作稳定转速 (r/min) Min. steady working speed	/	
曲轴旋转方向 (面向功率输出端) Crankshaft rotation direction (see from power output end)	逆时针 Anticlockwise	
启动方式 Starting way	电启动 Electrical	
净质量 (kg) Net weight	860	
外形尺寸 (长×宽×高) (mm) Overall dimensions (LxWxH)	1300 × 903 × 1067	
适配船用机组 Adapted for marine gen-set	150	120
证书 Certificate	ZC、CCS、EIAPP、国II	



# YC4A SERIES MARINE DIESEL ENGINE

## 系列船舶动力(55~220马力)

**电控技术 省油环保**  
ELECTRONIC CONTROL TECHNOLOGY FUEL SAVING AND ENVIRONMENTAL PROTECTION

### ▶ 机型介绍 Model is Introduced

YC4A系列柴油机为玉柴采用德国技术所开发的产品。采用BOSCH高压共轨燃油喷射系统、高性能燃烧室和进气涡流,使发动机燃油经济性远优于国内同功率档产品,适配30~100kW船用发电机组。

The YC4A series diesel engine is a product developed by Yuchai using German technology. The use of BOSCH high-pressure common rail fuel injection system, high-performance combustion chamber and intake vortex makes the engine fuel economy far better than the domestic products with the same power file. Suitable for 30~100kW marine generator set.



### ▶ 主要机型特点 Features

#### 高可靠性

- 机体、气缸盖采用合金铸铁, 强化程度高, 采用整体曲轴, 经过深度可靠性开发, 大修期大于10000小时。

#### 节能

- 通过缸内三维燃烧CFD技术, 优化燃烧排放, 燃烧更充分。
- 采用高压共轨系统、高性能燃烧室和进气涡流, 油耗指标远优于国内同功率档产品。
- 采用玉柴专有活塞环密封技术, 润滑油消耗比国内同功率档产品低50%以上。

#### 环保

- 全电控技术满足船机国二、IMO II排放标准。

#### 安全舒适

- 配备数字式智能化机旁及远程监控仪表, 实时监控保护发动机运行。
- 采用整体式铸铁淡水冷却水套排气管, 使船舱温度更低、使用更安全。

#### 维修性好

- 与4A车机通机型机的零部件通用率高达80%以上, 零件通用性高。
- 采用双联机滤、双联柴滤, 实现不停机维护保养。

#### High reliability

- The airframe and cylinder head are made of alloy cast iron, with a high degree of reinforcement, an overall crankshaft, and an overhaul period of more than 10,000 hours after deep reliability.

#### Energy conservation

- Through the three-dimensional combustion CFD technology in the cylinder, the combustion emissions are optimized and the combustion is more complete.
- Using high-pressure common rail system, high-performance combustion chamber and intake air vortex, the fuel consumption index is far better than the domestic products with the same power file.
- Using Yuchai's proprietary piston ring sealing technology, the lubricating oil consumption is more than 50% lower than that of domestic products with the same power file.

#### Environmental protection

- The full electronic control technology meets the emission standards of China II and IMO II of the ship.

#### Safe and comfortable

- Equipped with digital intelligent side and remote monitoring instruments, real-time monitoring and protection of engine operation;
- The use of integral cast iron fresh water cooling water jacket exhaust pipe makes the cabin temperature lower and safer to use.

#### Good serviceability

- The parts common rate of the 4A car and General purpose machine model is as high as 80%, and the versatility of the parts is high;
- Dual line filtration and double diesel filtration are adopted to achieve non-stop maintenance.

### ▶ YC4A主要技术参数 Technical Data

型号 Model	YC4A220L-C20	YC4A200L-C20	YC4A165L-C20	YC4A120L-C20
型式 Type	立式、直列、水冷、四冲程 Vertical, in-line, water-cooled, four-stroke			
进气方式 Intake way	增压中冷 Turbo-charged & inter-cooled			
气缸数-缸径×行程 (mm) No. of cylinders - Bore × Stroke	4-108×132			
活塞排量 Displacement (L)	4.837			
压缩比 Compression ratio	16:1			
持续功率/转速 (kW(Ps)/r/min) Continuous power/speed	162(220)/2300	147(200)/2300	120(165)/1800	90(120)/1500
超负荷功率/转速 (kW(Ps)/r/min) One-hour power/speed	178.2(240)/2374	161.7(220)/2374	132(180)/1858	99(135)/1548
最低燃油消耗率 (g/kW·h) Min. specific fuel consumption	≤200			
机油消耗率 (g/kW·h) Specific oil consumption	≤0.3			
机油容量 (L) Engine oil capacity	15			
最低工作稳定转速 (r/min) Min. steady working speed	≤1035		≤810	≤675
曲轴旋转方向 (面向功率输出端) Crankshaft rotation direction (see from power output end)	逆时针 Anticlockwise			
起动方式 Starting way	电起动 Electrical			
净质量 (kg) Net weight	570			
外形尺寸 (长×宽×高) (mm) Overall dimensions (LxWxH)	1143×853×1120			
适配减速齿轮箱 Matched reduction gearbox	120C、HC65			
证书 Certificate	ZC、CCS、EIAPP、国II		ZC、CCS、国II	

### ▶ YC4A主要技术参数 Technical Data

型号 Model	YC4A140Z-C20	YC4A120Z-C20	YC4A100Z-C20	YC4A70Z-C20	YC4A55Z-C20
型式 Type	立式、直列、水冷、四冲程 Vertical, in-line, water-cooled, four-stroke				
进气方式 Intake way	增压 Turbo-charged				
气缸数-缸径×行程 (mm) No. of cylinders - Bore × Stroke	4-108 × 132				
活塞排量 Displacement (L)	4.837				
压缩比 Compression ratio	16:1				
持续功率/转速 (kW(Ps)/r/min) Continuous power/speed	103(140)/2300	90(120)/2000	75(100)/1800	53(70)/1500	40(55)/1500
超负荷功率/转速 (kW(Ps)/r/min) One-hour power/speed	113.3(155)/2374	99(135)/2064	82.5(110)/1858	58.3(80)/1548	44(60)/1548
最低燃油消耗率 (g/kW·h) Min. specific fuel consumption	≤200				
机油消耗率 (g/kW·h) Specific oil consumption	≤0.3				
机油容量 (L) Engine oil capacity	15				
最低工作稳定转速 (r/min) Min. steady working speed	≤1035	≤900	≤810	≤675	
曲轴旋转方向 (面向功率输出端) Crankshaft rotation direction (see from power output end)	逆时针 Anticlockwise				
起动方式 Starting way	电起动 Electrical				
净质量 (kg) Net weight	550				
外形尺寸 (长×宽×高) (mm) Overall dimensions (LxWxH)	1076 × 853 × 1120				
适配减速齿轮箱 Matched reduction gearbox	120C、HC65				
证书 Certificate	ZC、CCS、国II				

### ▶ YC4A主要技术参数 Technical Data

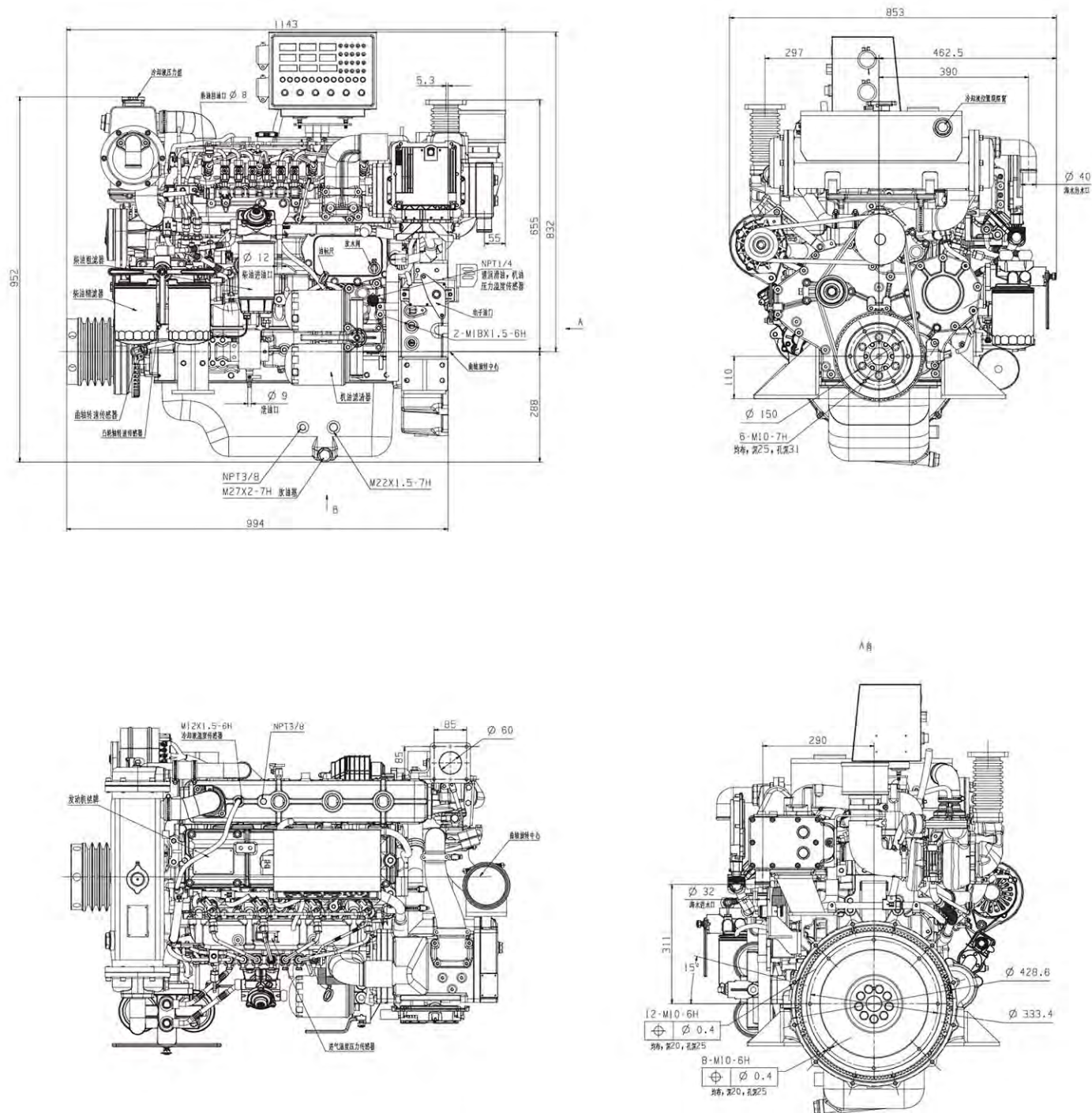
型号 Model	YC4A85Z-C22	YC4A70Z-C22	YC4A55Z-C22
型式 Type	立式、直列、水冷、四冲程 Vertical, in-line, water-cooled, four-stroke		
进气方式 Intake way	增压 Turbo-charged		
气缸数-缸径×行程 (mm) No. of cylinders - Bore × Stroke	4-108 × 132		
活塞排量 Displacement (L)	4.837		
压缩比 Compression ratio	16:1		
持续功率/转速 (kW(Ps)/r/min) Continuous power/speed	63(85)/1500	50(70)/1500	40(55)/1500
超负荷功率/转速 (kW(Ps)/r/min) One-hour power/speed	69.3(95)/1500	55(75)/1500	44(60)/1500
最低燃油消耗率 (g/kW·h) Min. specific fuel consumption	≤200		
机油消耗率 (g/kW·h) Specific oil consumption	≤0.3		
机油容量 (L) Engine oil capacity	12		
最低工作稳定转速 (r/min) Min. steady working speed	/		
曲轴旋转方向 (面向功率输出端) Crankshaft rotation direction (see from power output end)	逆时针 Anticlockwise		
起动方式 Starting way	电起动 Electrical		
净质量 (kg) Net weight	550		
外形尺寸 (长×宽×高) (mm) Overall dimensions (LxWxH)	1076 × 853 × 1120		
适配船用机组 (kW) Adapted for marine gen-set	50	40	30
证书 Certificate	ZC、CCS、国II		

### ▶ YC4A主要技术参数 Technical Data

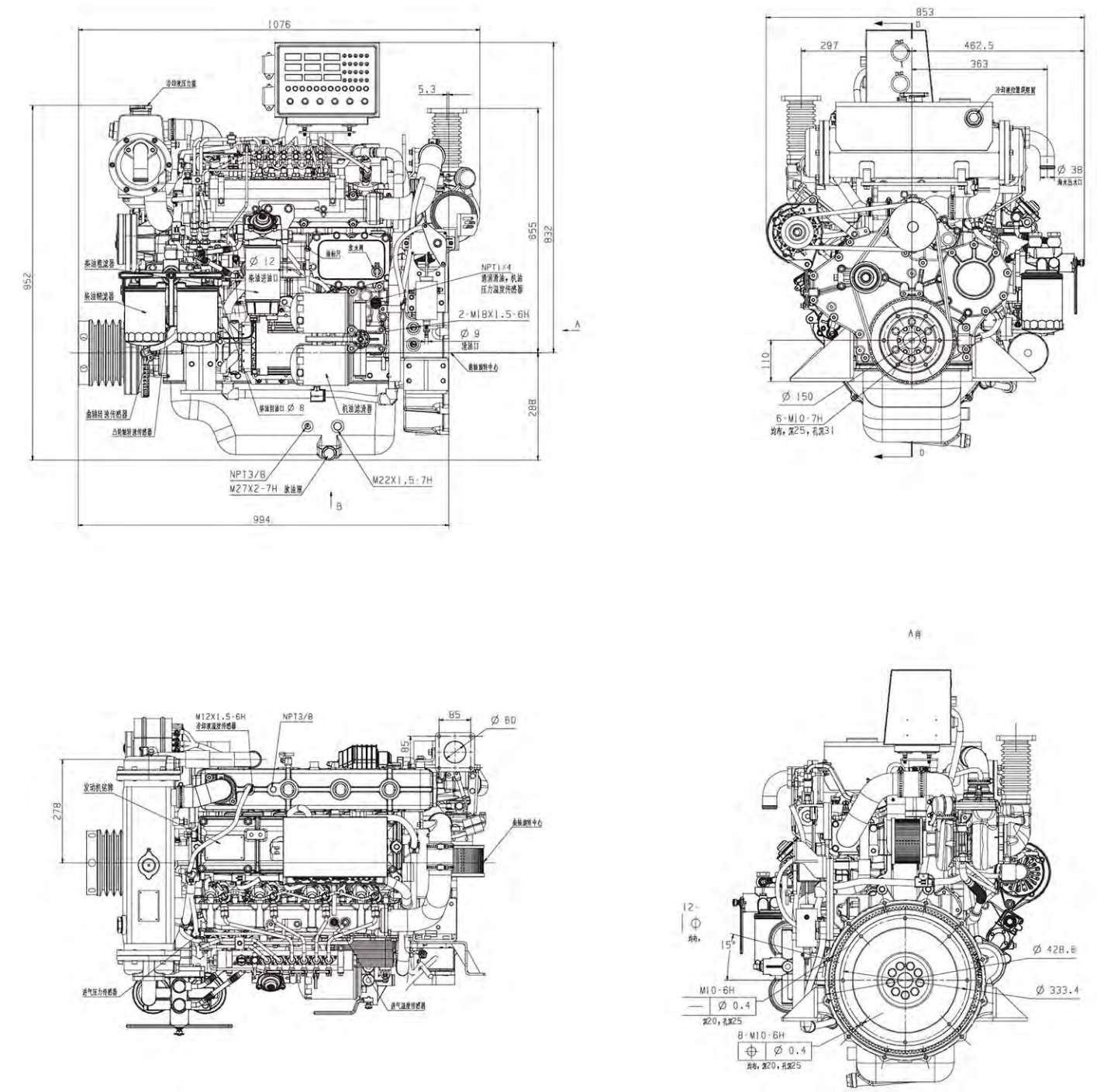
型号 Model	YC4A165L-C22	YC4A145L-C22	YC4A120L-C22	YC4A110L-C22
型式 Type	立式、直列、水冷、四冲程 Vertical, in-line, water-cooled, four-stroke			
进气方式 Intake way	增压中冷 Turbo-charged & inter-cooled			
气缸数-缸径×行程 (mm) No. of cylinders - Bore × Stroke	4-108 × 132			
活塞排量 Displacement (L)	4.837			
压缩比 Compression ratio	16:1			
持续功率/转速 (kW(Ps)/r/min) Continuous power/speed	120(165)/1500	106(145)/1500	90(125)/1500	80(110)/1500
超负荷功率/转速 (kW(Ps)/r/min) One-hour power/speed	132(180)/1500	116.6(160)/1500	99(135)/1500	88(120)/1500
最低燃油消耗率 (g/kW·h) Min. specific fuel consumption	≤200			
机油消耗率 (g/kW·h) Specific oil consumption	≤0.3			
机油容量 (L) Engine oil capacity	12			
最低工作稳定转速 (r/min) Min. steady working speed	/			
曲轴旋转方向 (面向功率输出端) Crankshaft rotation direction (see from power output end)	逆时针 Anticlockwise			
起动方式 Starting way	电起动 Electrical			
净质量 (kg) Net weight	570			
外形尺寸 (长×宽×高) (mm) Overall dimensions (LxWxH)	1143 × 853 × 1120			
适配船用机组 (kW) Adapted for marine gen-set	100	90	75	64
证书 Certificate	ZC、CCS、国II			

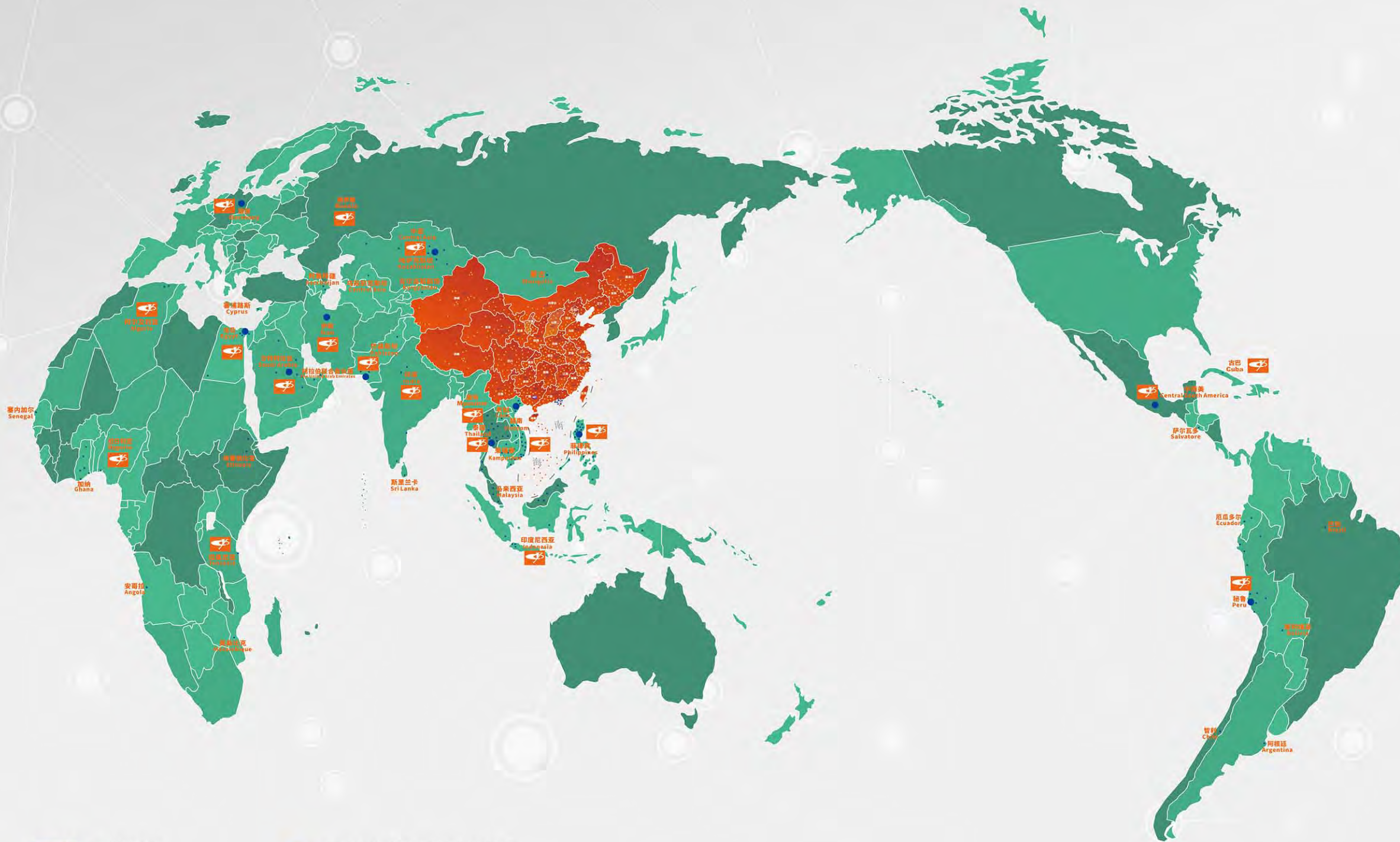


▶ YC4A外形安装尺寸图（增压中冷） Installation Drawing (Turbo-charged & inter-cooled)



▶ YC4A外形安装尺寸图（增压） Installation Drawing (Turbo-charged)





玉柴建立了包括产品销售、应用开发、售后服务、配件专卖于一体的营销管理体系，拥有行业内网络规模最大、服务网点最多、服务半径最小、三包里程最长、响应时间最短的营销服务网络，向全球用户提供省心快速的优质服务。

国内设立驻外4大商用车动力系统部、23个商用车动力销售大区、15个通机动力销售大区、13个船电营销中心。

海外设立19个办事处（包含船电3个）、7个大区、6个驻点、276家海外服务代理商。

在全球拥有5000多家专业服务网点，6000多家配件中心。

Yuchai has established a marketing management system that integrates product sales, application development, after-sales service, and spare parts sales. In addition, Yuchai has possessed the largest service network, the biggest number of service outlets, the smallest service radius, the longest mileage under warranty services of repair, replacement and refund, and the shortest response time in the industry to provide customers around the world with convenient and fast high-quality services.

With 4 commercial vehicle power system departments, 23 commercial vehicle power sales regions, 15 off-road power sales regions, and 13 marine and G-dive engine marketing centers in China.

With 19 sales offices (3 marine and G-dive engines sales offices), 1 subsidiary and 276 service agents all over the world.

Globally, Yuchai has more than 5,000 professional service outlets and more than 6,000 spare parts centers.